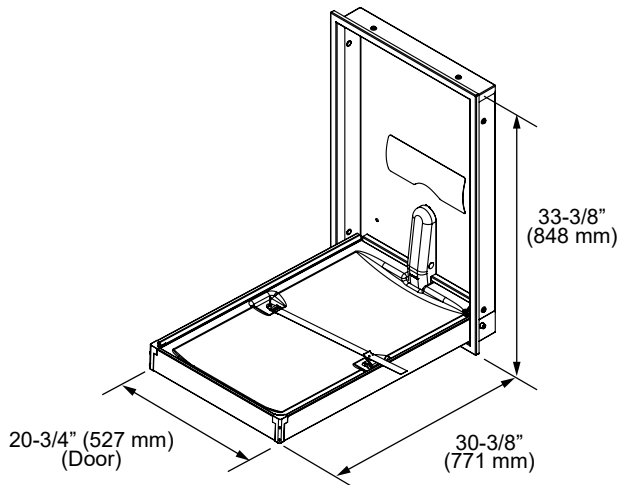




BABY CHANGERS MADE BY BABY EXPERTS.™

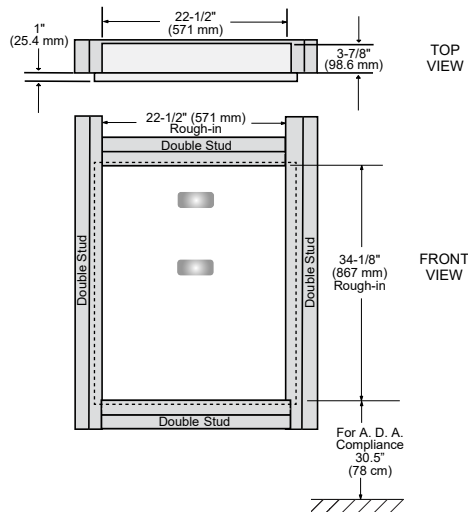
Submittal Sheet

Model 100SSV-R Vertical Surface Full-Body Stainless Steel Diaper Changing Station



- Full body 16 gauge, 304 brushed stainless steel.
- ABS replaceable tray liner / changing surface.
- Full stainless steel frame and hinges provide maximum durability.
- Easy to read ANSI compliant labels (ANSI Z535.3 and ANSI Z535.4), utilizing universal safety symbols.
- Pneumatic gas shock mechanism to ensure smooth, safe open and close motions.
- Includes universal changing station door sign.
- Recess-mounted installation. Hardware included.
- Limited Warranty: This product is warranted against manufacturing defects for a period of 5 years.

Recommended Blocking Recessed Mount



Short Specifications

Full 304 brushed stainless steel exterior with replaceable vacuum-formed ABS changing surface. Recess mounted.

1. A.D.A Compliant attached safety strap with cam-buckle.
2. Acceptable product: Foundations Worldwide, Inc.; Model 100SSV-R (Full SS Vertical Recessed Mount).
3. Characteristics:
 - a. Entire body 16 gauge, 304 brushed stainless steel, seamless welds.
4. Equipped with a pneumatic cylinder.
5. Smooth nylon belt with Thermoplastic Polyurethane coating. Easy to sanitize and adjustable with one hand.
6. Meets ASTM F2285 requirements for weight bearing Commercial Changing Stations.
7. **A.D.A. Compliance:**
 - 306.3 Knee clearance.
 - 307.2 Maximum protruding objects.
 - 308.2 Forward reach.
 - 308.3 Side reach.
 - 309.4 Operation.
 - 902.3 Work surface.
8. ANSI compliant safety labels.
9. CPSIA compliant to applicable sections.



Installation Information

- Unit recess into wall 3-7/8" (98.6 mm); closed unit projects 1" (25.4 mm) from wall.
- Rough-in opening to be 34-1/8" (867 mm) wide x 22-1/2" (571 mm) high. Shim as required for tight fit on all 4 sides. Use side mounting holes.
- Open unit projects form wall 30-3/8" (771 mm) into room when in use.