

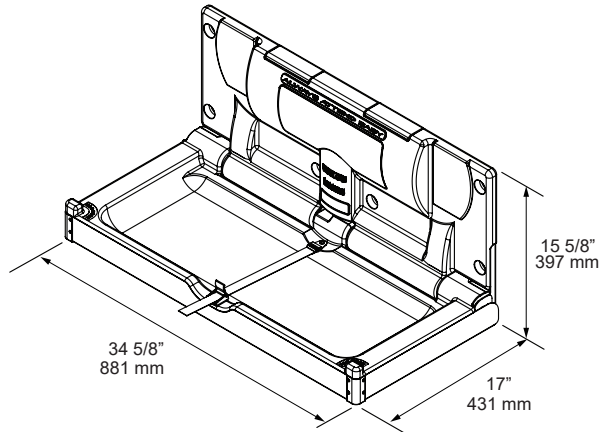


**Foundations®**

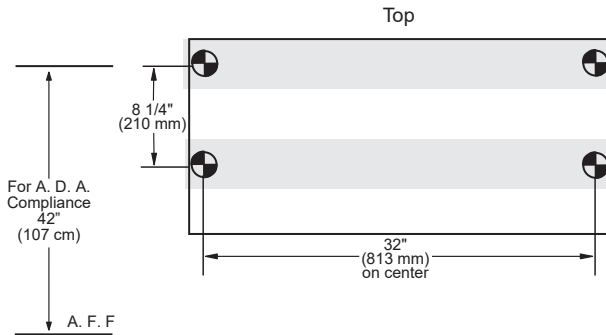
BABY CHANGERS MADE BY BABY EXPERTS.™

# Submittal Sheet

## Model 5410339 Horizontal Frameless Diaper Changing Station



### Recommended Blocking



### Short Specifications

Polyethylene Diaper Changing Stations with Stainless Steel Exterior:

1. Acceptable product: Foundations Worldwide, Inc.; Model 5410339
2. Characteristics:
  - a. Type: Molded FDA approved high-density polyethylene (HDPE) body.
  - b. Child protection strap featuring cam-buckle which is adjustable with one hand.
  - c. Smooth nylon belt with Thermoplastic Polyurethane coating. Easy to sanitize and adjustable with one hand.
  - d. Warning labels printed in English, Spanish and French.
  - e. Meets ASTM F2285 requirements for weight bearing Commercial Changing Stations.
  - f. Entire body 18 gauge, 304 brushed stainless steel.
3. **A.D.A. Compliance:**

|       |                            |
|-------|----------------------------|
| 306.3 | Knee Clearance             |
| 307.2 | Maximum Protruding Objects |
| 308.2 | Forward Reach              |
| 308.3 | Side Reach                 |
| 309.4 | Operation                  |
| 902.3 | Work Surface               |

Compliant when properly installed.
4. ANSI compliant safety labels.
5. CPSIA compliant to applicable sections.



- Polyethylene body with stainless steel exterior.
- Easy to clean, high-density polyethylene which is naturally bacteria resistant; beneath 304 brushed stainless steel encasement.
- Standard with molded-in dual liner dispensers.
- Each liner dispenser holds approximately 50.
- A.D.A. cam-buckle is adjustable with one hand.
- Smooth nylon belt with Thermoplastic Polyurethane coating. Easy to sanitize and adjustable with one hand.
- Convenient bag hooks clearly labeled on both sides.
- Easy to read ANSI compliant labels (ANSI Z535.3 and ANSI Z535.4), utilizing universal safety symbols.
- Compact, slim profile meets A.D.A. when properly installed. Only protrudes 4 inches or 102 mm from wall.
- Includes universal changing station door sign.
- Pneumatic gas shock mechanism to ensure smooth, safe open and close motions.
- Steel-to-steel support hinges.
- Includes easy to install, step-by-step instructions plus all mounting hardware.
- ASTM G21 Anti-Bacterial: No measurable bacterial growth.
- Meets or exceeds ASTM F2285 Safety Specifications for Commercial Changing Stations.
- Standard pack: 1 unit.
- Limited Warranty: This product is warranted against manufacturing defects for a period of 5 years.

### Installation Information

- Closed unit projects less than 4 inches (101 mm) from wall.
- Open changing surface projects 17 inches (432 mm) from wall during use.
- Overall closed dimensions are 34-5/8 inches (881 mm) wide and 17 inches (432 mm) tall.
- Hardware allows for mounting to current or new construction applications.