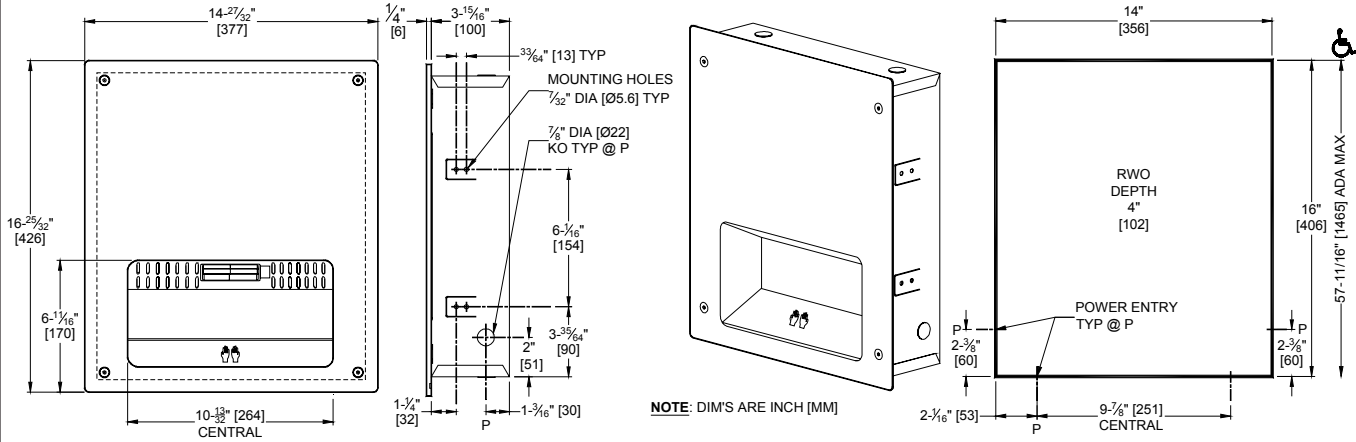




AMERICAN SPECIALTIES, INC.
 Distributed By: ALLIED HAND DRYER, Ltd.
 706 W Summit Ave, San Antonio, TX 78212
 800-535-4393 • 210-733-5918
 www.handdryer.com

MODEL No:	0133
ISSUED:	06-08
REVISED:	09-08

SIMPLICITY SERIES RECESSED MOUNTED HAND DRYER



SPECIFICATION

Recess Mounted Hand Dryer shall operate automatically from IR sensor that shall activate dryer when hands are placed in sensor zone. Cover shall be fabricated in one piece of 14 gauge (.078", {2}) thick type 304 stainless steel alloy 18-8. Hand drying recess shall be same grade in 18 gauge (.048", {1,3}). All exposed surfaces shall have a N^o 4 satin finish and shall be protected during shipment by PVC film easily removable after installation. Cabinet shall be 20 gauge corrosion protected steel with a 1/2" (13) wide perimeter trim to lay flush against wall and shall have flush pin-hex security screws to close cover. Motor and heating element shall have internal resetting automatic thermal protection. Fixed directional air vanes shall be heavy duty, rust proof and tamper resistant. Air intake slots shall not allow access to internal parts. Circuitry shall have self-adjusting time-out and fail-safe off protection controlled by a microprocessor that shall detect and reject false signals and shall automatically self calibrate to provide uniform sensitivity over its entire life span. Entire unit shall be internally electrically grounded. Dryer unit shall have approval and be listed under the re-examination services of Underwriters Laboratories, Inc. Unit shall be warranted against defects in materials or workmanship for Ten (10) years.

Recess Mounted Sensor Hand Dryer shall be Model N^o 0133 of American Specialties, Inc.

INSTALLATION

Mount unit cabinet in wall recess with four (4) N^o 10 (M5) screws (not supplied) into suitably prepared mountings (by others) or other suitable mounting hardware (by others) to suit wall conditions. For masonry walls use expansion bolts or anchors for 1/4" (M6) screws. See unit diagram for electrical service cable rough-in location. Electric service of 100-240VAC 20A 50/60 Hz (provided by others) is brought to RWO at location for dryer indicated on diagram above and is hooked up (by others) in accordance with schematic and Owner's Manual provided with unit. Electrical service is supplied and connected (by others) prior to installing cover. Cover is secured to cabinet with four (4) pin-hex socket flat head security screws (supplied). For compliance with ICC/ANSI A-117.1-2003 and ADA Accessibility Guidelines install unit with top of dryer hand chamber 48" (1219) maximum above finished floor (MAX AFF) if clear floor forward reach or if clear floor side reach access is provided or 46" (1168) MAX AFF if side reach access over an obstruction (e.g. vanity) with reach depth greater than 10" (254) and less than 25" (635) is only provided or 44" (1118) MAX AFF if forward reach over an obstruction (e.g. commode) with reach depth greater than 20" (508) and less than 25" (635) is only provided. For general utility install unit so that top of dryer hand chamber is 44" to 50" (1118 to 1270) AFF. Note that top of RWO is 3/8" (10) below top of unit. For installation of two or more dryers, dryers should be no closer than 24" (610) on center.

Accessory Specialties

AMERICAN DISPENSER

Desert Ray Products

WATROUS inc.



AMERICAN SPECIALTIES, INC.
 Distributed By: ALLIED HAND DRYER, Ltd.
 706 W Summit Ave, San Antonio, TX 78212
 800-535-4393 • 210-733-5918
 www.handdryer.com

MODEL No: **0133**

ISSUED: 06-08

REVISED: 08-08

SIMPLICITY SERIES RECESSED MOUNTED HAND DRYER

RWO required is 14" W x 16" H x 4" D minimum (356 x 406 x 102)

OPERATION

User activates dryer by placing hands under sensor. Dryer automatically shuts off after time-out when user removes hands from sensor zone.

RATINGS

MODEL	TYPE	TIMING	VOLTS HERTZ	AMPS	WATTS	COVER
0133	Hand	Automatic 4 Second hold on	115 VAC 50/60 Hz	17.6	2200	Nº4 Satin finish vertical grain

MODEL	MOTOR	H/P	RPM	FAN TYPE	HEATING ELEMENT	AIR FLOW	OUTPUT
0133-115VAC	Brush Type Dual Ball Bearings	1/4	7500	Single Inlet Centrifugal	1857 Watt Nichrome wire with auto reset circuit breaker @ 11513 VAC	185 CFM 314.5 m³/h	149° F ± 5@ 77° F (65° C ± 2.8 @ 25° C) ambient room temp