

99.97% PURE AIR



XLERATOR®/XLERATOReco® HAND DRYER HEPA FILTER RETROFIT KIT

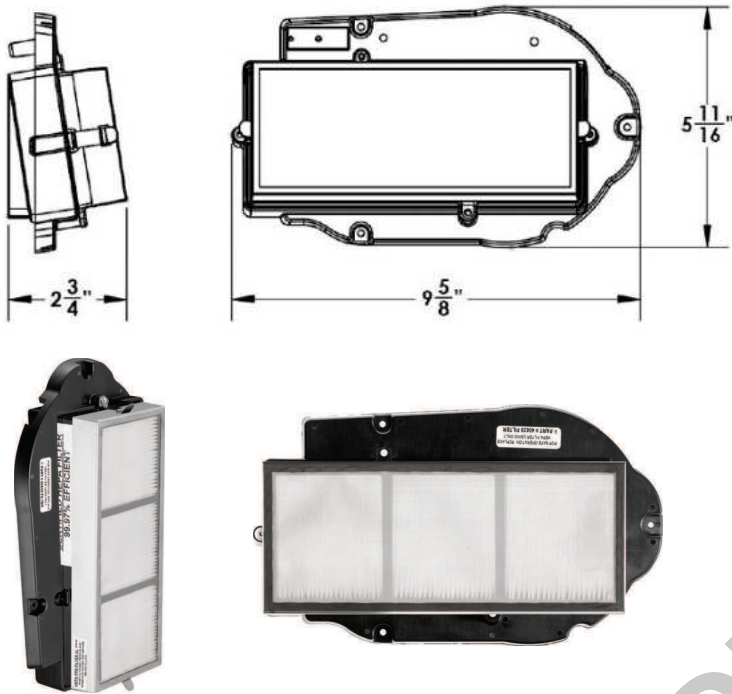
The XLERATOR and XLERATOReco hand dryers offer a new HEPA filtration system proven to remove 99.97% of potentially present bacteria at 0.3 microns from the air stream, and the only one with a washable Pre-Filter for reliable performance and extended filter life. XLERATOR and XLERATOReco with HEPA settles the debate about hand dryer hygiene by delivering clean, filtered, purified air as only XLERATOR and XLERATOReco can – fast and efficiently. The HEPA filtration system is now available as an optional XLERATOR and XLERATOReco feature, or can easily be retrofitted into existing units.

XLERATOR®/XLERATOReco® HAND DRYER HEPA FILTER RETRO KIT - Part #40525



HEPA FILTER RETRO KIT PART # 40525 (COMPLETE)

40525 KIT Includes HEPA Filter #40520 with Spring Clips, Filter Adapter, & Pre-Filter #94



Part ID	Description
40525	XLERATOR HEPA Filter Retro Kit
40520	XLERATOR HEPA Filter Replacement (Included with 40525)
94	XLERATOR Pre-Filter Replacement (Included with 40525) Metal Mesh

COMPONENTS/FEATURES OF HEPA FILTER RETRO KIT (PART # 40525 KIT COMES COMPLETE WITH THE FOLLOWING)

- ✔ **HEPA Filter**
 Filters 99.97% of bacteria at 0.3 microns from the air stream. Replacement HEPA Filters are available separately (Part #40520).
- ✔ **Pre-Filter**
 Corrosion resistant stainless steel mesh screen that traps large particles and protects the HEPA Filter media. The Pre-Filter is designed with an easy detaching clip system, allowing it to be removed without any tools for rinsing and cleaning of debris, and then reattached with a simple snap fit. Replacement Pre-Filters are available separately (Part #94).
- ✔ **Filter Adapter**
 This component serves as the connecting piece between the HEPA Filter and the motor. It creates an airtight seal to the motor and the HEPA Filter using perimeter closed-cell gaskets.
- ✔ **Pre-Filter Spring Clips**
 Corrosion resistant clips that easily flex outward to remove the Pre-Filter for cleaning. The Pre-Filter is designed to snap easily into place. The spring clips come pre-attached to the HEPA Filter.

HEPA FILTER (ONLY) PART # 40520

Included with Part #40525 Retro Kit
May Be Purchased Separately as a Replacement



PRE-FILTER (ONLY) PART # 94

Included with Part #40525 Retro Kit
May Be Purchased Separately as a Replacement



MAINTENANCE

⚠ WARNING: TO REDUCE THE RISK OF ELECTRIC SHOCK, FIRE & PERSONAL INJURY, INSIDE CLEANING MUST BE PERFORMED BY QUALIFIED SERVICE PERSONNEL.

The XLERATOR HEPA Filter includes a durable and removable stainless steel mesh Pre-Filter that can be cleaned, rather than replaced, to improve reliability and extend the lifespan of the filter. It is generally recommended that the Pre-Filter be inspected and cleaned if performance diminishes. If the dryers are installed in an environment that contains excessive lint, dust or other particles in the ambient air, periodic cleaning is recommended. With the proper maintenance, the HEPA filter can last over 5 years.

⚠ DO NOT CLEAN THE HEPA FILTER OR ALLOW IT TO COME INTO CONTACT WITH WATER

LIMITED WARRANTY

The XLERATOR HEPA Filter Retrofit Kit shall be guaranteed to be free from manufacturing defects for a period of one (1) year. Warranty shall consist of replacement parts, and may require the return of the defective parts at manufacturer's option.

NOTE: This complete HEPA filtration system is available as an installed option on the XLERATOR and XLERATOReco (when specified at the time of purchase) or can easily be retrofitted into existing units with this #40525 HEPA Filter Retro Kit.



TIME TO THROW IN THE TOWEL®

ALLIED HAND DRYER, LLC
San Antonio, TX

1.800.535.4393
1.210.733.5918

www.handdryer.com
sales@handdryer.com

APRIL
2017

16HFS0007