

QUICK CHANGE

BEFORE



AFTER



XLERATOR®/XLERATOReco® HAND DRYER XCHANGER® COMBO KIT (HAND DRYER NOT INCLUDED)

The XChanger Combo Kit allows you to completely retrofit your paper dispenser and waste receptacle with the XLERATOR or XLERATOReco hand dryer. This panel is easily installed over the space left by the former paper dispenser and will not cause damage to the existing wall surface. The XLERATOR or XLERATOReco hand dryer with ADA compliant Recess Kit is installed into the XChanger leaving your restroom modern, clean and green.

XLERATOR®/XLERATOReco® HAND DRYER

XCHANGER COMBO KIT - Part #40575 & Part #40576



XCHANGER COMBO KIT (COMBO Includes Recess Kit & XChanger)

STANDARD HEIGHT COMBO KIT - PART #40575
ADA HEIGHT COMBO KIT - PART #40576



(XLERATOR Hand Dryer not included)

Part ID	Description
40575	XChanger Combo Kit - Standard Height (Includes Recess Kit #40502 and Standard XChanger #40550)
40576	ADA XChanger Combo Kit - ADA Height (Includes Recess Kit #40502 and ADA Height XChanger #40551)
40550	XChanger (Only), Brushed Stainless Steel - Standard Height (When Purchased Separately; Included with #40575 Combo Kit)
40551	XChanger (Only), Brushed Stainless Steel - ADA Height (When Purchased Separately; Included with #40576 Combo Kit)
40502	Recess Kit (Only) Brushed Stainless Steel (When Purchased Separately; Included with both XChanger Combo Kits #40575 & #40576)

XCHANGER SPECIFICATIONS (Part #40550/40551; Included in COMBO KIT)

Weight: 17 Lbs. (7.7 kg)

Overall Dimensions: 17 1/4" wide x 56" high x 1" deep

Rough Wall Opening: XChanger is installed over the footprint of most common paper towel dispenser/waste receptacles or approximately 17 1/4" wide x 56" high. **For New Construction** the rough wall opening is 15 7/8" wide x 54 5/8" high.

Installation Guide (Consult local ADA codes):

The XChanger is a retrofitable conversion kit which will enable you to update your existing paper towel dispenser and waste receptacle to an XLERATOR or XLERATOReco hand dryer. Used in conjunction with the Recess Kit, the XChanger is installed over the footprint of common paper towel dispenser/waste receptacles designed to match their dimensions so there is little or no wall repair required once the XChanger kit is installed.

ADA Height XChanger Kit: The XChanger also comes in an ADA version. The opening to the unit is 7" lower to allow the recess kit and XLERATOR or XLERATOReco hand dryer to be ADA compliant. Check local regulations for actual ADA compliance rules (Part #40551).

CONSTRUCTION

XChanger is fabricated of 18 gauge 18-8 type 304 stainless steel with #4 satin finish. All welded construction.

RECESS KIT SPECIFICATIONS (Part #40502; Included in COMBO KIT)

Width: 16 3/8" (416 mm)

Height: 26" (660 mm)

Depth: 3 3/8" (86 mm)

Weight: 11 lbs. (4.99 kgs.)

Installation Guide (Consult local ADA codes):

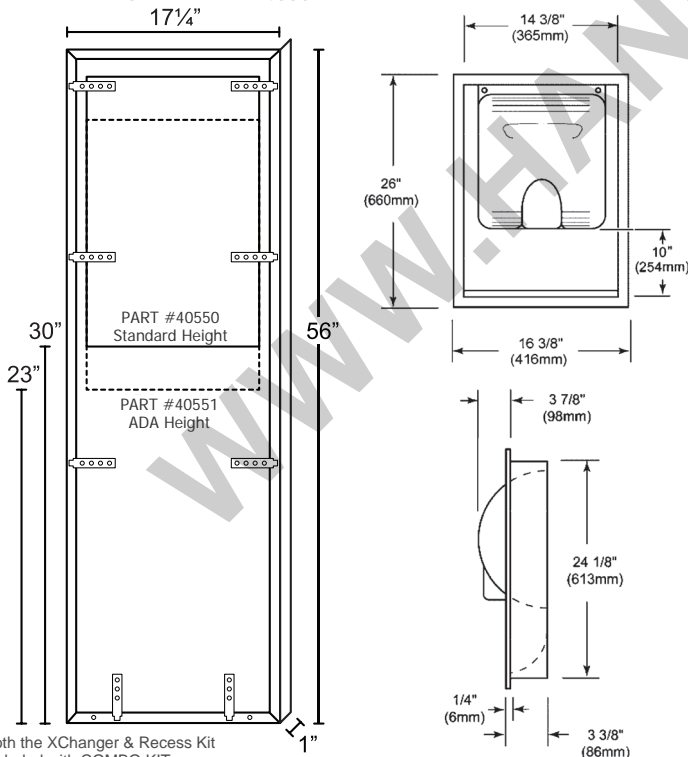
An ADA-compliant Recess Kit for XLERATOR or XLERATOReco hand dryer models that adheres to the 4" protrusion ADA guidelines in a restroom walkway and helps keep water off the wall and floor. When installed, bottom of hand dryer will be 10" (254 mm) above bottom of rough wall opening. Therefore, bottom of rough wall opening should be 10" (254 mm) below suggested mounting height for hand dryer. (See suggested mounting heights above).

CONSTRUCTION

Wall box is fabricated of 22 GA 18-8 type 304 stainless steel with #4 satin finish with 16 GA 18-8 type 304 stainless steel dryer mounting plate. All welded construction.

XCHANGER (ONLY)* STANDARD HEIGHT - PART #40550 ADA HEIGHT - PART #40551

RECESS KIT (ONLY)* PART #40502



* Both the XChanger & Recess Kit Included with COMBO KIT



TIME TO THROW IN THE TOWEL®

ALLIED HAND DRYER, LLC
San Antonio, TX

1.800.535.4393
1.210.733.5918

www.handdryer.com
sales@handdryer.com

AUGUST
2017

16XCS0008