

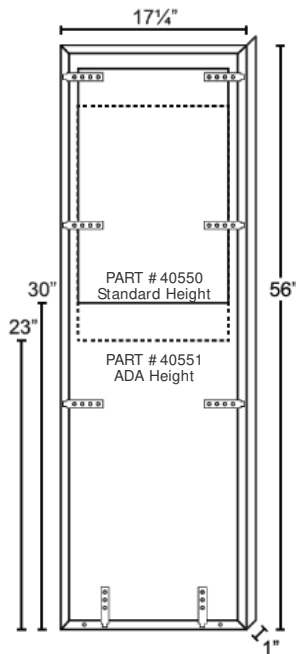
XLERATOR®/XLERATOReco® HAND DRYER XCHANGER (Only) - Part #40550 & Part #40551



XCHANGER (ONLY)

(Does Not Include Recess Kit or Dryer)

STANDARD HEIGHT XCHANGER - PART # 40550
ADA HEIGHT XCHANGER - PART # 40551



Part ID	Description
40550	XChanger (Only), Brushed Stainless Steel - Standard Height (Requires Part #40502 Recess Kit - Not Included)
40551	XChanger (Only), Brushed Stainless Steel - ADA Height (Requires Part #40502 Recess Kit - Not Included)

40502 Recess Kit (Only), Brushed Stainless Steel (Not Included)
[Required for the use of the XChanger (#40550 or #40551) but not included; To purchase both the Recess Kit #40502 & XChanger (#40550 or #40551) - order the XCHANGER COMBO KIT (#40575 or #40576 ADA)]

NOTE: XLERATOR Hand Dryer Not Included; Purchased Separately

XCHANGER SPECIFICATIONS (PART #40550 and #40551)

Weight: 17 Lbs. (7.7 kg)

Overall Dimensions: 17 1/4" wide x 56" high x 1" deep

Rough Wall Opening: XChanger is installed over the footprint of most common paper towel dispenser/waste receptacles or approximately 17 1/4" wide x 56" high. **For New Construction** the rough wall opening is 15 7/8" wide x 54 5/8" high.

Installation Guide (Consult local ADA codes):

The XChanger is a retrofitable conversion kit which will enable you to update your existing paper towel dispenser and waste receptacle to an XLERATOR or XLERATOReco hand dryer. Used in conjunction with the Recess Kit, the XChanger is installed over the footprint of common paper towel dispenser/waste receptacles designed to match their dimensions so there is little or no wall repair required once the XChanger kit is installed.

ADA Height XChanger Kit: The XChanger also comes in an ADA version. The opening to the unit is 7" lower to allow the recess kit and XLERATOR or XLERATOReco hand dryer to be ADA compliant. Check local regulations for actual ADA compliance rules (Part #40551).

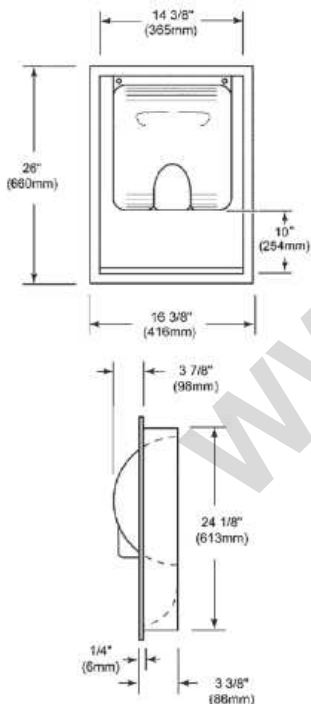
CONSTRUCTION

XChanger is fabricated of 18 gauge 18-8 type 304 stainless steel with #4 satin finish. All welded construction.

RECESS KIT (ONLY)

PART # 40502

(Required; Not Included)



FULL XCHANGER ASSEMBLY

XCHANGER # 40550 Shown With
RECESS KIT # 40502 & XLERATOR
Hand Dryer (Neither Included)



(XLERATOR Hand Dryer & Recess Kit Not Included)

RECESS KIT SPECIFICATIONS (PART #40502 - Not Included)

Width: 16 3/8" (416 mm)

Height: 26" (660 mm)

Depth: 3 7/8" (86 mm)

Weight: 11 lbs. (4.99 kgs.)

Installation Guide (Consult local ADA codes):

An ADA-compliant Recess Kit for XLERATOR or XLERATOReco hand dryer models that adheres to the 4" protrusion ADA guidelines in a restroom walkway and helps keep water off the wall and floor. When installed, bottom of hand dryer will be 10" (254 mm) above bottom of rough wall opening. Therefore, bottom of rough wall opening should be 10" (254 mm) below suggested mounting height for hand dryer. (See suggested mounting heights above).

CONSTRUCTION

Wall box is fabricated of 22 GA 18-8 type 304 stainless steel with #4 satin finish with 16 GA 18-8 type 304 stainless steel dryer mounting plate. All welded construction.



TIME TO THROW IN THE TOWEL®

ALLIED HAND DRYER, LLC
San Antonio, TX

1.800.535.4393
1.210.733.5918

www.handdryer.com
sales@handdryer.com

AUGUST
2017

16XCS0008