

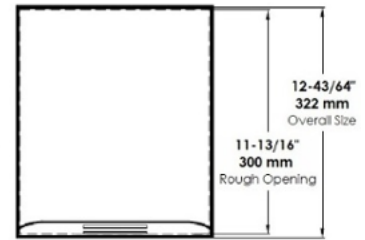
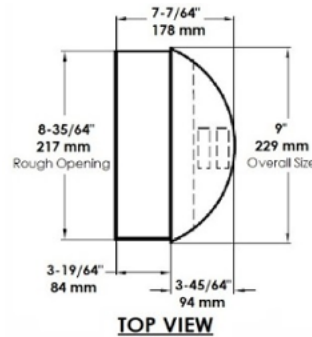
COLUMBIA VORTEX

Deluxe Series

HD-637 (110V/120V)
HD-647 (208V, 220V/240V)
Steel Cover with Satin (Brushed)
Chrome Finish

Technical Data Sheet

HIGH SPEED - Automatic Touch Free Sensor Hand Dryer Semi-Recess Mounted




SPECIFICATIONS: Semi-Recess Mounted Automatic (touch free) Operation Hand Dryer; Infrared Automatic Sensor, self adjusting. Class 1 Isolation. Unit has 110/120 Volts – 50/60 Hz, 13.3-14.5 Amps, 1600 Watts and 220/240 Volts – 50/60 Hz, 6.7 -7.3 Amps, 68 CFM , Temperature 149 F (65 C). Cover is fabricated of one piece Steel; Satin Chrome finish. 2 vandal-proof lock screws and key wrench. 10 – 15 seconds drying time. Sound level is 78 dB-A. Drip proof: IPX1. Weight is 15 lbs. Air outlet is rust proof and tamper resistant. Brush motor type – 15/16hp, 18000 R.P.M. Adjustable.

Dryer is  approved.

OVERALL SIZE: 9" W x 12-43/64" H x 7-7/67" D
(229 mm x 322 mm x 178 mm)

WALL OPENING: 8-35/64" W x 11-13/16" H x 3-19/64" D
(217 mm x 300 mm x 84 mm)

OPERATION: Shake excess water from hands. Place hands under the outlet to start operation. Dryer is activated when hands are placed 4-6 inches below spout. Rub hands lightly and rapidly. Dryer automatically powers off when hands are removed. (For safety, the power will be cut off automatically in case of irregular use over 60 seconds.)

INSTALLATION:  **WARNING:** Disconnect power before installation or servicing. Do not install dryer over wash basin. This product is intended for installation by a qualified electrician. Installation must be carried out in accordance with the current edition of the local wiring regulations code having jurisdiction. Use AWG NO.12 solid conductor for wiring. All units must be supplied with a 3-wire service. The ground wire must be connected to the dryer's back plate. Failure to properly ground could result in severe electrical shock and/or death.

Place supplied paper template against wall at desired height (see mounting height recommendations) and mark locations of 4 mounting holes and wire service entry at knockout location. **Note:** For two or more dryers, dryers should be no closer than 24" (610 mm) on center. Remove and retain 2 cover screws and cover. Connect supply wires to terminal block where indicated and connect ground wire to base plate with ground screw (**Connections:** A. Connect the live wire (colored red or black) to the terminal block marked "L". B. Connect the neutral wire (colored white or blue) to the terminal block marked "N". C. Connect the ground wire (colored green or green and yellow) to the green screw.) Note that colors of live and neutral wires depend on voltage of supply service. Replace cover. Do not over-tighten screws. Attach housing back to base plate at an angle of 10 degrees then secure properly.

The manufacturer reserves the right, without formal notification, to implement changes to the design and dimensions.