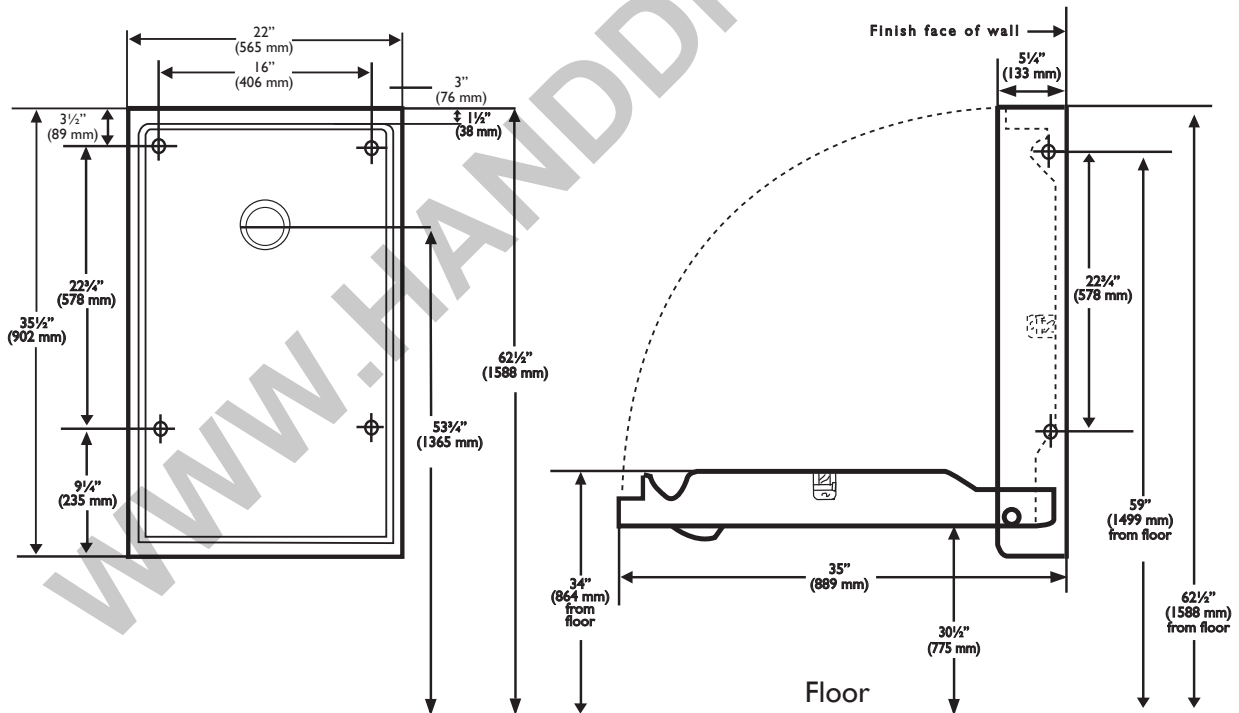


KOALA KARE PRODUCTS

KB111-SSWM VERTICAL WALL MOUNTED STAINLESS STEEL FINISH BABY CHANGING STATION



Allied Hand Dryer, LLC 706 W Summit Ave San Antonio, TX

800.535.4393 sales@handdryer.com www.handdryer.com

KB111-SSWM TECHNICAL DATA SHEET

MATERIALS:

FDA approved blow molded high-density polyethylene with Microban® antimicrobial clad in type 304 brushed stainless steel finish. Reinforced full-length steel-on-steel hinge mechanism, with 11-gauge steel mounting plates and mounting hardware included. Molded-in graphics & Safety Messages in six languages. Contoured changing surface area is 420 sq. in (2710 sq. cm) and comes complete with nylon safety straps and bag hooks.

OPERATION:

Concealed pneumatic cylinder and hinge structure provides controlled, slow opening and closing of bed. High-density polyethylene is easy to clean and resists odors and bacterial growth. Complies with ASTM static load performance requirements when properly installed. Built-in liner dispenser holds approximately 25 KB150-99 sanitary liners. Replacement parts and additional liners can be purchased by calling Allied Hand Dryer at 800.535.4393 or from our website at www.handdryer.com.

Warning: To ensure that the unit supports the intended loads, baby changing stations must be properly installed according to the manufacturer's instructions.

SPECIFICATION:

Baby changing station body shall be durable, high-density polyethylene with Microban® antimicrobial clad in type 304 brushed stainless steel finish. Design of unit shall be surface-mounted. Unit shall be equipped with a pneumatic cylinder for controlled opening and closing of bed. Bed shall be secured to back plate with a concealed, full-length steel-on-steel hinge. No hinge structure shall be exposed on interior or exterior surfaces. Unit shall have 11-gauge steel mounting plates with mounting hardware included. Unit shall have Microban® antimicrobial embedded into plastic material. Unit shall conform to ASTM F 2285-04 Standard Safety Performance Specification for Diaper Changing Tables for Commercial Use, ANSI Z535.4 Product Safety Signs and Labels, and ASTM G21 Antifungal standards or local code if more stringent installation requirements are applicable for barrier-free accessibility. Bed shall have smooth concave changing area with a nylon safety strap and two hooks for bags and purses. Unit shall have a built-in Liner Dispenser for use with 3-ply chemical free biodegradable sanitary liners, universal instruction graphics and safety messages in 6 languages. Unit shall be backed by manufacturer's 5-year limited warranty on materials and workmanship and include a provision for replacement caused by vandalism. Unit shall be manufactured in the U.S.A.

INSTALLATION:

To ensure proper installation and compliance to building codes, it is recommended that a qualified person or carpenter perform the installation of the unit. The unit must be properly installed onto a permanent wall that is capable of supporting significant weight and can accommodate the supplied installation hardware.

Drilling holes and mounting the station:

1. Remove the station from the shipping container and check for any freight damage. Identify the best location for installing the baby changing station. Hold the unit in place, open the bed, and make sure that there is adequate operating clearance.

2. Based upon the type of wall on which the unit will be mounted, determine the best method of mounting. Not all of the included hardware may be required for proper installation.

3. The vertical unit has four mounting holes provided in the back wall of the unit, which are positioned on a 16" (406 mm) stud center. If possible, locate the wood or metal wall studs for fastening the changing station in the desired location. If the walls do not have studs on center as outlined, make sure at least one side of the unit is installed into the stud. Use toggles (not supplied) for holes on the other side.

4. Find the stud where you will be attaching the left side of the changing station to the wall. Measure 59" (1499 mm) up from the floor, at the center of the stud, and mark the wall. Line up the top left mounting hole with this mark, then use a measuring tape and level to mark the remaining three mounting holes. This will locate the bottom of the station 27" (686 mm) from the floor and the top of the bed at 34" (864 mm) from the floor.

Using Wood Screws:

If the wall has wood studs on 16" (406 mm) centers, drill 1/8" (3 mm) pilot holes at the marks and use the four 1/4" x 3" (6 mm x 76 mm) panhead wood screws with supplied washers. If the wall is masonry or tile over wood studs, use a 7/32" (6 mm) masonry drill until you hit the stud, then proceed to drill 1/8" (3 mm) pilot holes into the studs and use the four 1/4" x 3" (6 mm x 76 mm) screws with supplied washers.

Using Toggle Fasteners:

If the wall has wood studs that are not on 16" (406 mm) centers, has metal studs or an underlying surface of concrete block, drill with a 1/2" masonry bit. (You may have to purchase toggles before installing.) You must allow a minimum of inside wall space for toggles to turn depending on toggles used. Insert and tighten toggles.

The illustrations and descriptions herein are applicable to production as of the date of this Technical Data Sheet. The manufacturer reserves the right to, and does from time to time, make changes and improvements in designs and dimensions without notice.

