

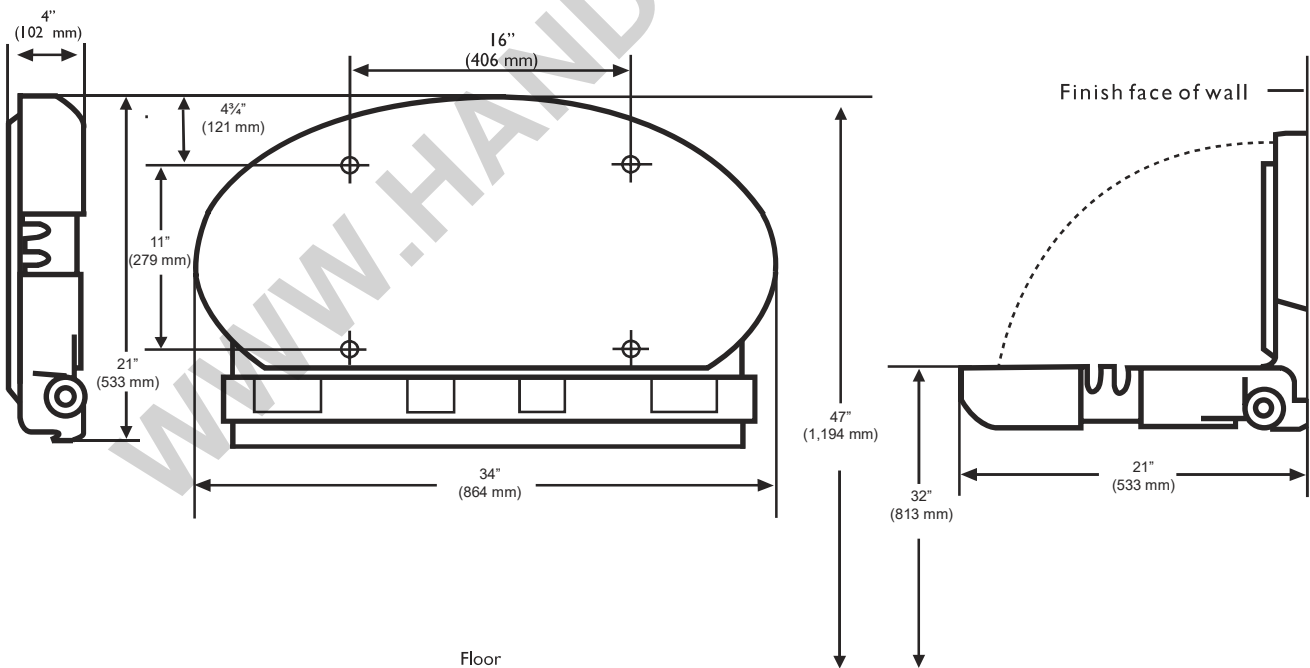
# KOALA KARE PRODUCTS

## KB208 OVAL WALL MOUNTED BABY CHANGING STATION

KB208-01 GREY

KB208-12 GREY GRANITE

KB208-14 SANDSTONE



Allied Hand Dryer, LLC 706 W Summit Ave San Antonio, TX

800.535.4393 sales@handdryer.com www.handdryer.com

### KB208 TECHNICAL DATA SHEET

## **MATERIALS:**

FDA approved rotationally-molded high-density polyethylene with Microban® antimicrobial. Reinforced full-length steel pivot rod secured in a metal tube hinge mechanism and mounting hardware included. Safety messages in four languages. Contoured changing surface area is 308 sq in. (1987 sq cm) and comes complete with nylon safety straps and bag hooks.

## **OPERATION:**

Concealed pneumatic cylinder and hinge structure provides controlled, slow opening and closing of bed. High-density polyethylene is easy to clean and resists odors and bacterial growth. Complies with ASTM static load performance requirements when properly installed.

Warning: To ensure that the unit supports the intended loads, baby changing stations must be properly installed according to the manufacturer's instructions.

## **SPECIFICATION:**

Baby changing station body shall be durable, high-density polyethylene. Design of unit shall be surface-mounted, oval. Unit shall be equipped with a pneumatic cylinder for controlled opening and closing of bed. Bed shall be secured to back with a reinforced full-length steel pivot rod secured in a metal tube hinge. Unit shall have Microban® antimicrobial embedded into plastic material. No hinge structure shall be exposed on interior or exterior surfaces. Unit shall conform to ICC A117.1-2009 Accessible and Usable Buildings and Facilities, ASTM F 2285-04 Standard Consumer Safety Performance Specification for Diaper Changing Tables for Commercial Use, ANSI Z535.4 Product Safety Signs and Labels, and ASTM G21 Antifungal Standards or local code if more stringent installation requirements are applicable for Barrier-free accessibility. Unit shall comply with ADA regulations when properly installed. Bed shall have smooth concave changing area with a nylon safety strap and two hooks for bags or purses. Unit shall be backed by manufacturer's 5-year limited warranty on materials and workmanship and include a provision for replacement caused by vandalism. Unit shall be manufactured in the U.S.A.

## INSTALLATION:

To ensure proper installation and compliance to building codes, it is recommended that a qualified person or carpenter perform the installation of the unit. The unit must be properly installed onto a permanent wall that is capable of supporting significant weight, and can accommodate the supplied installation hardware. The Koala Baby Changing Station meets ADA regulations when properly installed.

1. Remove the station from the shipping container and check for any freight damage. Identify the best location for installing the unit. Hold the unit in place and open the bed. Make sure you have taken the operating clearance into consideration.

2. Determine the best method of mounting based on the type of wall. You may have to purchase toggles.

3. The oval unit has four mounting holes provided in the back wall, positioned on a 16" (406 mm) stud center. If possible, locate the wood or metal studs for fastening the unit in the desired location. If the walls do not have studs on 16" center as outlined, make sure at least one side of the unit is installed into the stud. Use toggles for holes on the opposite side.

4. Find the stud where you will be attaching the left side of the unit to the wall. Measure up from the floor 42¼" (1,073 mm), at the center of the stud, and mark the wall. Mark remaining holes using a measuring tape to make sure the holes are precisely positioned. Hold unit in place to verify. Use a 1/8" drill bit to make pilot holes then use four ¼" x 3" panhead wood screws with washers (supplied) to secure the unit to the studs.

If the wall surface is masonry or tile over studs, use a 7/32" masonry drill bit for the pilot hole until you hit the stud. Change bit to 1/8" regular drill bit. Use four ¼" x 3" panhead wood screws with washers (supplied).

If the wall has wood studs that are not on 16" (406 mm) centers, has metal studs or an underlying surface of concrete block, drill with a ½" masonry bit. (You may have to purchase toggles before installing.) You must allow a minimum of inside wall space for toggles to turn, depending on toggles used. Insert and tighten toggles.

5. Once the unit has been secured to the wall, use the two screw hole plugs provided to cap the upper two mounting hole recesses. Position the plug over the recess and push it into place using hand pressure. Do not hammer the plug in as it will damage the plug. Once the plug is flush with the surface stop pushing and install the second one.

6. Position Koala sign (supplied) on the outside of the restroom door. Replacement parts can be purchased by calling Allied Hand Dryer at 800.535.4393 or from our website at [www.handdryer.com](http://www.handdryer.com).

*The illustrations and descriptions herein are applicable to production as of the date of this Technical Data Sheet. The manufacturer reserves the right to, and does from time to time, make changes and improvements in designs and dimensions without notice.*

