

## TECHNICAL SPECIFICATION

### Jet Towel - Heated

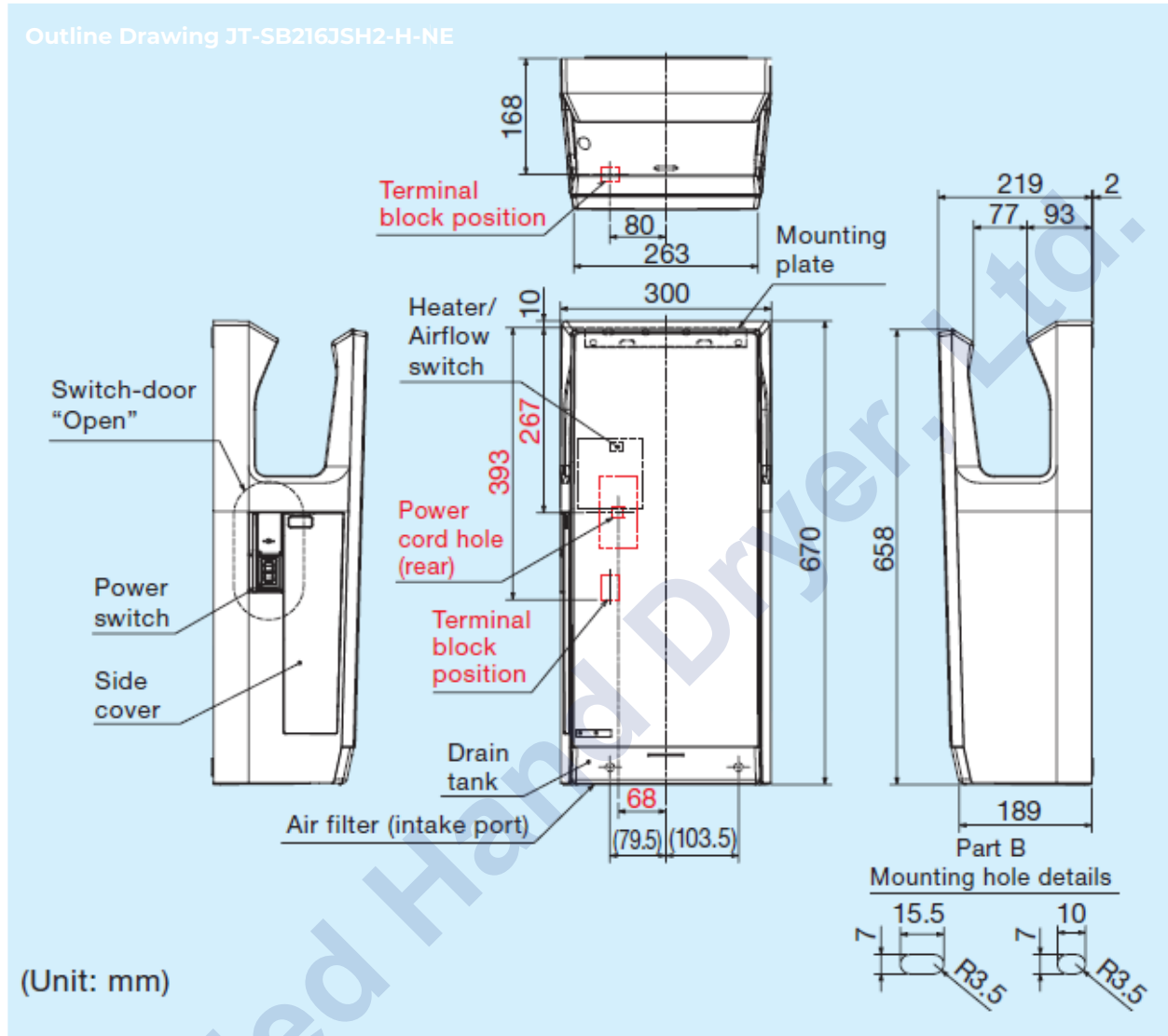
<b>Colours available</b>	Dark Grey - Part no. JT-SB216JSH2-H-NE
<b>Casing Construction</b>	Polypropylene – ABS Anti-microbial material
<b>Electrical</b>	Electrical supply: 220-240V AC, Single phase 50Hz Rated Power: High Speed Heater On – 1240W, Heater Off – 720W Standard Speed Heater On – 1070W, Heater Off – 550W  Standby: 1W Motor Type: Brushless DC Motor
<b>Operation</b>	Touch-free lower sensor activation, upper exit sensor Hand dry time: 9-11 seconds Operation switch off period: 30 seconds Airflow rate: High - 235mph, Standard - 215mph Noise: High - 61dB, Standard - 58dB
<b>Filtration</b>	Lifetime anti-microbial filter
<b>IP Rating</b>	IPX4
<b>Unit Weight</b>	25.6 lbs (11kg)
<b>Unit Dimensions (w/d/h mm)</b>	11-13/16" x 8-5/8" x 26-3/8" (300mm x 219mm x 670mm)
<b>Drain Tank Capacity</b>	1.7 Pints (0.8 Litres)
<b>Safety Components</b>	Thermal fuse, over current breaker
<b>Standard Warranty</b>	2 years parts
<b>Recommended Installation Heights (measured from floor to top back plate)</b>	Male: 36-7/16" (925mm) Female: 35-5/8" (905mm) Child/Disabled: 34-1/16" to 36" (865-915mm)



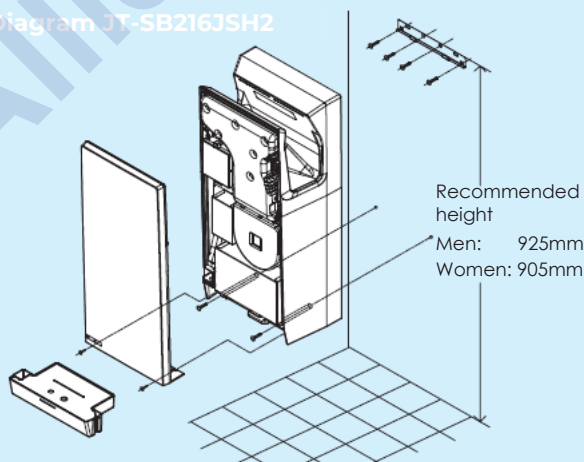
for a greener tomorrow

## TECHNICAL SPECIFICATION

### Jet Towel - Heated



### Mounting Diagram JT-SB216JSH2



\* For fastening main unit mounting screws, use a Philips (+) screwdriver with a shaft length of at least 150mm

\* Mount the unit so that the left-side cover is removable and the rating label is visible. (At least 150mm, but 200mm or more is recommended. Embedded portion is excluded.) Allow 200mm or more to enable the water drainage duct to be checked after cleaning.

\* Allow at least 130mm between the bottom surface (air intake port) of the unit and the floor surface.