

Model DB-974 AirStyle Hair Dryers



Durable Commercial Hair Dryers

WORLD DRYER

World Airstyle Model DB-974 series commercial hair dryers are designed for health clubs, locker rooms and schools. Featuring high-power 80 second drying cycle, Airstyle is one of the safest and high-vandal resistant hair dryer in the market.

Product Benefits

- High power 80 second drying cycle
- Quiet operation for sound sensitive areas
- Durable and vandal resistant
- Designed for use in health clubs, locker rooms and schools
- Push-button operation
- Surface mounted
- Adjustable swivel nozzle
- Classic style design

Design Features

- IPX1 ingress protection
- Thermally-protected, universal brush-type motor operating at 7,500 RPM
- Delivering 200 CFM air flow at a velocity of 7,300 LFM of warm air
- Cover material: 14GA Cold-Rolled Steel with white epoxy enamel finish

- Cam-operated timer designed to operate the hair dryer for no less than 80 seconds after activation
- Chrome plated nozzle to revolve 360°



Architecture & Engineering Specifications

Airstyle™ Model DB-974 hair dryers shall be manufactured by or for World Dryer to include a cover made of 14 gauge thick Cold Rolled Steel with white epoxy enamel finish. Motor shall be universal type, 1/10 HP at 7500 RPM. Dryers shall deliver 200 cubic feet per minute of air volume (7300 LFM). Dryers shall be activated by means of a pushbutton control device. Timer shall be electro-mechanical cam-style with 25 AMP rated switch to operate for no less than 80 seconds after activation. Chrome plated nozzle to revolve 360°. Hair dryer shall be listed under reexamination service of Underwriters Laboratories, Inc.

Model B Series Product Specifications

Electrical

| | 115 V | 115 V | 208 - 230 V | 220 - 240 V | 277 V * |
|-------|-------|-------|-------------|---|---------|
| Amps | 20 | 15 | 10 | 50 Hz Not Available in North America | 8.5 |
| Watts | 2300 | 1725 | 2300 | | 2300 |
| Hz | 60 | 60 | 60 | | 60 |

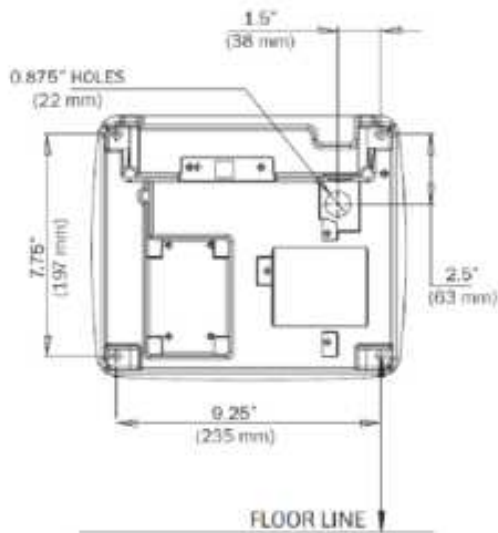
* 277 Volts unit available for additional fee

Surface Mounted

Unit Size (HxWxD) 9.6" x 11.3" x 9.4" (244 mm x 287 mm x 238 mm)
Shipping Size (HxWxD) 11.3" x 15" x 13" (285 mm x 385 mm x 330 mm)

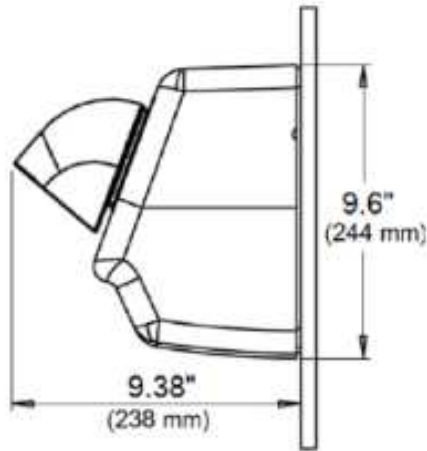
| Stock # | Cover Finish | Cover Material | Electrical | Unit Weight |
|----------|--------------|----------------|---------------|--------------------|
| DB-974 | White | CR Steel | 115V (20 Amp) | 15.6 lbs / 7.1 kgs |
| DB1-974 | White | CR Steel | 115V (15 Amp) | 15.6 lbs / 7.1 kgs |
| DB3-974 | White | CR Steel | 208V - 230V | 15.6 lbs / 7.1 kgs |
| DB7-974* | White | CR Steel | 277V* | 15.6 lbs / 7.1 kgs |

* 277 Volts unit available for additional fee

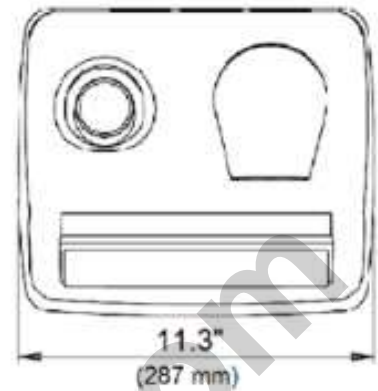


Front View Wall Mounting

(Looking Thru Dryer)



Side View



Front View

Placement Instruction

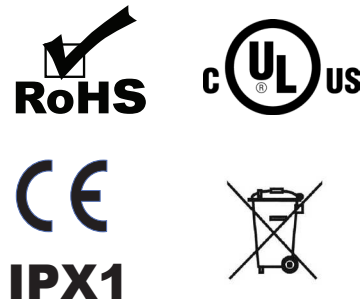
- Hair dryers should be spaced at least 2' apart
- Dryer Quantity Recommendation:
Average Traffic: 1 dryer per 2 shower heads
Heavy Traffic: 1 dryer per shower heads
- Recommended mounting heights from floor to dryer bottom edge

| Recommended Mounting Heights from Floor to Dryer Bottom Edge | in. (cm.) |
|--|--------------|
| Men's washrooms | 68" (173 cm) |
| Women's washrooms | 59" (150 cm) |
| Children's washrooms, ages 4-7 | 41" (104 cm) |
| Children's washrooms, ages 7-10 | 48" (122 cm) |
| Children's washrooms, ages 10-13 | 54" (137 cm) |
| Children's washrooms, ages 13-17 | 59" (150 cm) |
| Handicap Mounting Height | 40" (102 cm) |

Installation Guide

- Model B hair dryers require a dedicated 20 AMP circuit and must be properly grounded
- GFI circuit protection is recommended in wet or damp locations
- One side of dryer should be mounted to a stud

Certification Approved



Warranty



10 year limited warranty



Allied Hand Dryer, LLC
760 W Summit Ave
San Antonio, TX 78212
800-535-4393
sales@handdryer.com
www.handdryer.com

