

Model RB-974 AirStyle Hair Dryers



Durable Commercial Hair Dryers

WORLD DRYER

World Airstyle Model RB series commercial hair dryers are designed for health clubs, locker rooms and schools. Featuring high-power 80 second drying cycle, Airstyle is one of the safest and high-vandal resistant hair dryer in the market.

Product Benefits

- High power 80 second drying cycle
- Quiet operation for sound sensitive areas
- Durable and vandal resistant
- Designed for use in health clubs, locker rooms and schools
- Push-button operation
- Recess mounted
- Adjustable swivel nozzle
- Classic style design

Design Features

- IPX1 ingress protection
- Thermally-protected, universal brush-type motor operating at 7,500 RPM
- Delivering 200 CFM air flow at a velocity of 7,300 LFM of warm air
- Cover material: Cast Iron with porcelain enamel finish.

- Cam-operated timer designed to operate the hair dryer for no less than 80 seconds after activation
- Recessed units include a 16-gauge steel wall-mounting box
- Chrome plated nozzle to revolve 360°



Architecture & Engineering Specifications

Airstyle™ Model RB-974 recessed hair dryers shall be manufactured by or for World Dryer to include a cover made of 1/4" thick cast iron with white porcelain enamel finish and a 16 gauge recess wall-mounting box. Motor shall be universal type, 1/10 HP at 7500 RPM. Dryers shall deliver 200 cubic feet per minute of air volume (7300 LFM). Dryers shall be activated by means of a pushbutton control device. Timer shall be electro-mechanical cam-style with 25 AMP rated switch to operate for no less than 80 seconds after activation. Chrome plated nozzle to revolve 360°. Hair dryer shall be listed under reexamination service of Underwriters Laboratories, Inc.

Model RB Series Product Specifications

Electrical

	115 V	115 V	208 - 230 V	220 - 240 V	277 V *
Amps	20	15	10	50 Hz Not Available in North America	8.5
Watts	2300	1725	2300		2300
Hz	60	60	60		60

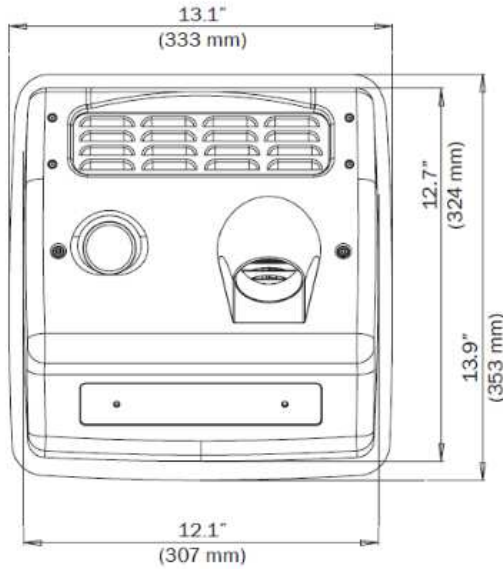
* 277 Volts unit available for additional fee

Recess Mounted

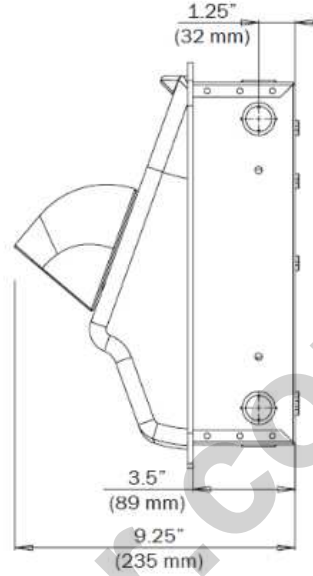
Unit Size (HxWxD) 13.9" x 13.1" x 9.25" (353 mm x 333 mm x 235 mm)
Shipping Size (HxWxD) 10.6" x 16" x 15.3" (269 mm x 406 mm x 389 mm)

Stock #	Cover Finish	Cover Material	Electrical	Unit Weight
RB-974	White	Cast Iron	115V (20 Amp)	28.6 lbs / 12.9 kgs
RB1-974	White	Cast Iron	115V (15 Amp)	28.6 lbs / 12.9 kgs
RB3-974	White	Cast Iron	208V - 230V	28.6 lbs / 12.9 kgs
RB7-974*	White	Cast Iron	277V*	28.6 lbs / 12.9 kgs

* 277 Volts unit available for additional fee



Front View



Side View

Placement Instruction

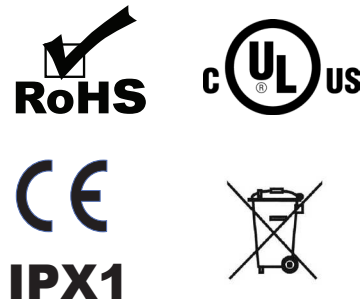
- Hair dryers should be spaced at least 2' apart
- Dryer Quantity Recommendation:
Average Traffic: 1 dryer per 2 shower heads
Heavy Traffic: 1 dryer per shower head
- Recommended mounting heights from floor to dryer bottom edge

Recommended Mounting Heights from Floor to Dryer Bottom Edge	in. (cm.)
Men's washrooms	68" (173 cm)
Women's washrooms	59" (150 cm)
Children's washrooms, ages 4-7	41" (104 cm)
Children's washrooms, ages 7-10	48" (122 cm)
Children's washrooms, ages 10-13	54" (137 cm)
Children's washrooms, ages 13-17	59" (150 cm)
Handicap Mounting Height	40" (102 cm)

Installation Guide

- Model RB hair dryers require a dedicated 20 AMP circuit and must be properly grounded
- GFI circuit protection is recommended in wet or damp locations
- One side of dryer should be mounted to a stud

Certification Approved



Warranty



10 year limited warranty



Allied Hand Dryer, LLC
 760 W Summit Ave
 San Antonio, TX 78212
 800-535-4393
 sales@handdryer.com
 www.handdryer.com

