

BLU STORM

HAND DRYER



**10 SECOND
DRY TIME**

**95% COST
SAVINGS VS
PAPER TOWELS**

**ADA COMPLIANT
FAST RESULTS
WITH LESS NOISE**



ULTRA SERIES Hand Dryers

**PALMER
FIXTURE**

ULTRA SERIES Hand Dryers from Palmer Fixture

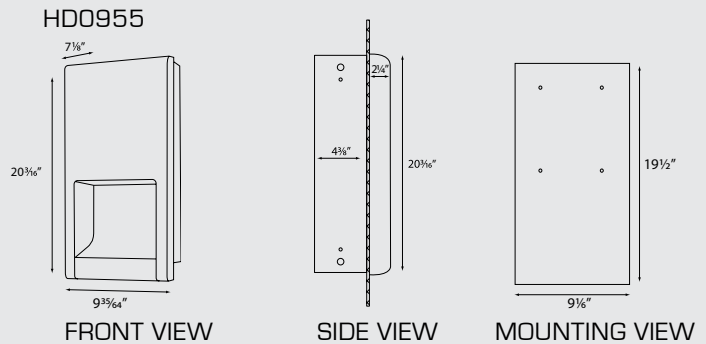
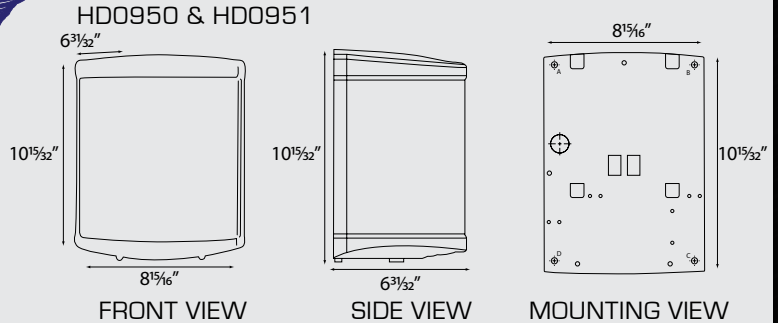


GreenSpec
LISTED



TECHNICAL SPECIFICATIONS

MATERIAL	Stainless Steel
MOTOR TYPE	15/16HP, 700W brush type, dual ball bearings
THERMAL PROTECTION	Motor turns unit off at 275F (135C) Heater turns unit off at 221F (105C)
AIR SPEED	19,680 LFM, Adjustable
AIR OUTPUT TEMP	113F (45C) Ambient Temp: 68F (20C)
SOUND LEVEL	77±3dB
ISOLATION	Class 1
DRIP PROOF	IPX1
WATTS	1600 W
RPM	12,000-18,000, Adjustable
MOUNTING	Surface or Recessed
WEIGHT	12.8 lbs / 20.7 lbs



MOUNTING HEIGHTS from bottom of dryer to floor

MEN	43"
WOMEN	41"
CHILDREN (AGES 3-10)	33"
CHILDREN (AGES 11-18)	39"
DISABLED	35"

MODEL #	VOLTAGE	AMPS
HD0950-09	110/120V	12.5-13.4
HD0951-09	220/240V	8-8.5
HD0955-09	110/120V	12.5-13.4

DIMENSIONS	WEIGHT
8-15/16" W x 10-15/32" H x 6-31/32" D	12.8 lbs
9-35/64" W x 20-3/16" H x 7-1/8" D	20.7 lbs -- RECESSED

BluStorm EXTRAS

FILTER ASSEMBLY	SP095099-003
FILTER	SP095099-004
CUSTOM COVER	*CALL*



PRODUCT FEATURES

- Fast results with less noise, 10 second dry time
- 1-Piece cover with double vandal-resistant screws and key wrench
- Power cuts off automatically after 60 sec. of irregular use
- 70% cost savings vs. conventional hand dryers
- 95% cost savings vs. paper towels
- Blue light allows user to maximize dryers efficiency
- Optional air filter available
- 5 Year Limited Warranty

Ph: 800.558.8678
Ph: 920.884.8698
Fax: 920.884.8699
info@palmerfixture.com



Palmer Fixture
P.O. Box 10887
Green Bay, WI 54307
www.stormdryers.com

www.palmerfixture.com