

**CODE NUMBER**

3346098 (CP)

**DESCRIPTION**

Sloan® Deck-Mounted, Automatic, Battery-Powered Foam Soap Dispenser with Polished Chrome Finish

**DETAILS**

- Finish: Only Available in Polished Chrome (CP)
- Power Type: Battery
- Height: 4" (102mm)
- Width: 2-5/16" (58mm)
- Depth: 5-13/16" (147mm)
- Sensor Type: Infrared (IR)

**FEATURES**

Sensor Activated, Electronic, Chrome Plated Die Cast Body, Hand Washing Foam Soap Dispenser with the following features:

- Modular one-piece construction easily attaches to deck surface
- All electronics in spout are sealed
- Designed for drip free foam dispensing operation
- Motor Assembly suspended under counter connected to soap dispenser spout
- Motor Assembly rotates 360 degrees for easy installation
- Battery life of 45,000 activations
- 1,500 dispenses per foam soap bottle
- Ships with 2 bottles of non-scented, non-colored foam soap (1500ml per bottle)
- Additional foam soap can be purchased through Sloan (ESD-321) or GOJO distribution (8565-02-N6300GN)
- Ships with battery pack (4 "D" Alkaline batteries included)
- Sensor range - nominal 5"
- GFI outlet suggested per code
- 120V/15 Amp
- Optional AC adaptor can be purchased separately (part number 0346090)
- Select the ESD-2101 to combine ESD-2100 soap dispenser, 2 bottles of soap and the SF-2150-4 faucet

**SOAP REFILLS**

- ESD-321 (1500mL)



**COMPLIANCES & CERTIFICATIONS**



(ADA Compliant, WELL Building Standard)

**RECOMMENDED SPECIFICATION**

Sloan Foam Soap Dispenser model number ESD-2100. Chrome Plated Dispenser. Supplied with 2 bottles of 1500ml soap.

**DOWNLOADS**

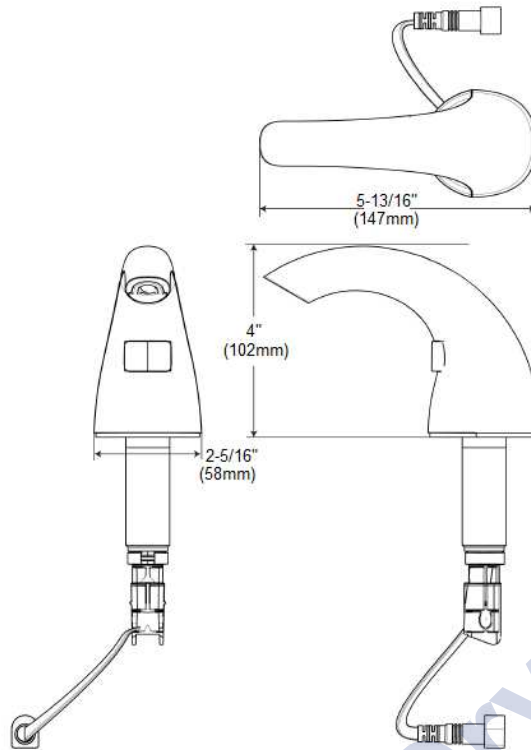
- [ESD Series Installation Instructions](#)
- [ESD-500/600/700/800/1500/2000/2100 Repair and Maintenance Guide](#)
- [Additional Downloads](#)

**NOTES**

All information contained within this document subject to change without notice.

Allied Hand Dryer, Ltd.

**ROUGH-IN**



**MATCHING FAUCETS**

NAME	DESCRIPTION
SF-2100	Sloan® Hardwired-Powered Deck-Mounted Low Body Faucet
SF-2150	Sloan® Battery-Powered Deck-Mounted Low Body Faucet

**Allied Hand Dryer, Ltd.**  
**706 W Summit Ave, San Antonio, TX 78212**  
 Phone: 800.535.4393 / 210.733.5918  
 Fax: 210.308.5924 • sales@handdryer.com • www.handdryer.com