

**CODE NUMBERS**

3346080 (CP), 3346081 (PVDBN), 3346182 (PVDGR), 3346083 (PVDPB), 3346082 (PVDSF)

**DESCRIPTION**

Sloan® Deck-Mounted, Automatic, AC-Powered Foam Soap Dispenser.

**DETAILS**

- Five Finishes Available: Polished Chrome (CP), Brushed Nickel (PVDBN), Graphite (PVDGR), Polished Brass (PVDPB), & Brushed Stainless (PVDSF)
- Power Type: Hardwired
- Height: 4-3/8" (111.8mm)
- Width: 1-15/16" (48.5mm)
- Depth: 4-1/2" (114.3mm)
- Sensor Type: Infrared (IR)



**FEATURES**

Sensor Activated, Electronic, Die Cast Body, Hand Washing Foam Soap Dispenser with the following features:

- Modular One-piece Construction and easily attaches to deck surface
- Low Soap Level Indicator
- One tool service
- All electronics sealed
- Double infrared sensors with automatic setting feature
- Soap sold separately

**ELECTRICAL SPECIFICATIONS**

- AC Power Plug-In Only: Yes
- Sensor Range: 4" - 5" (102 - 127mm)
- Self-Adjustment Range: 1" - 6" (25 - 152mm)

**SOAP REFILLS**

- SJS-1751 (1000mL)
- SJS-1751-3 (1000mL)
- SJS-1751-4 (1000mL)

**VIDEOS**

- ▶ PVD Special Finishes

**RECOMMENDED SPECIFICATION**

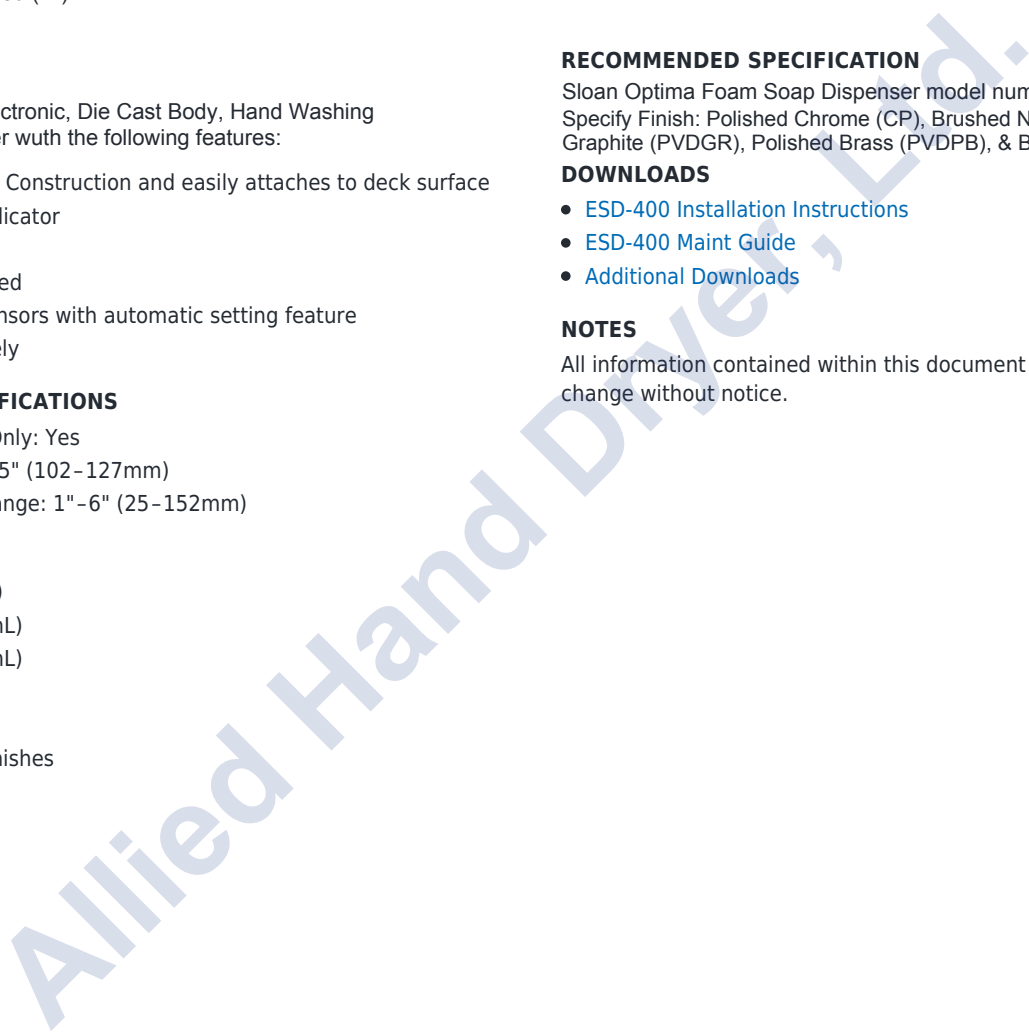
Sloan Optima Foam Soap Dispenser model number ESD-400. Specify Finish: Polished Chrome (CP), Brushed Nickel (PVDBN), Graphite (PVDGR), Polished Brass (PVDPB), & Brushed Stainless (PVDSF)

**DOWNLOADS**

- [ESD-400 Installation Instructions](#)
- [ESD-400 Maint Guide](#)
- [Additional Downloads](#)

**NOTES**

All information contained within this document subject to change without notice.



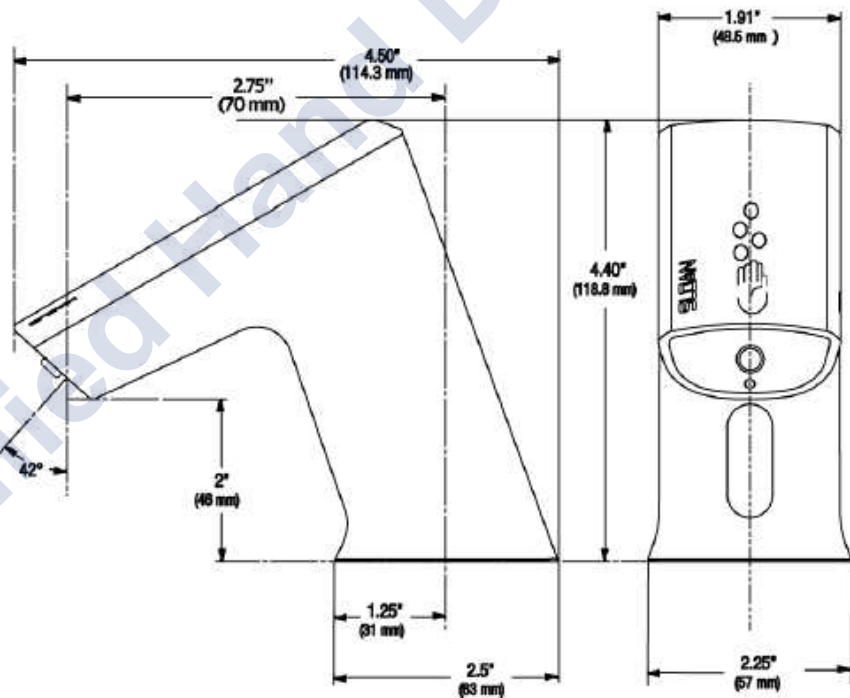
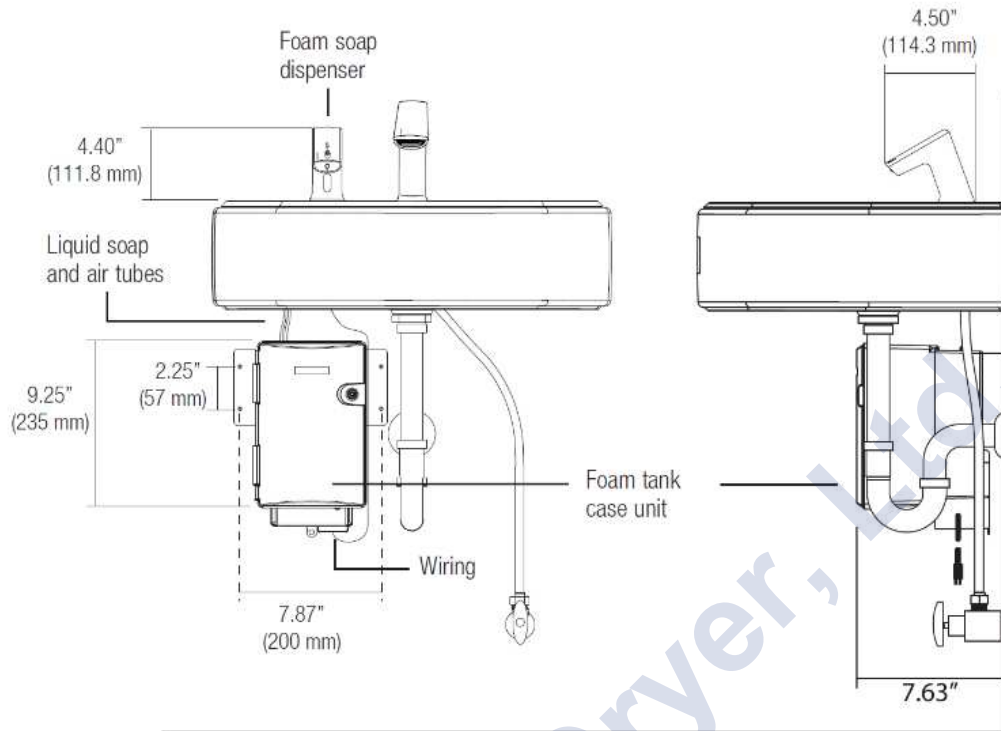
**Allied Hand Dryer, Ltd.**

**706 W Summit Ave, San Antonio, TX 78212**

Phone: 800.535.4393 / 210.733.5918

Fax: 210.308.5924 • sales@handdryer.com • www.handdryer.com

**ROUGH-IN**



**Allied Hand Dryer, Ltd.**  
**706 W Summit Ave, San Antonio, TX 78212**  
 Phone: 800.535.4393 / 210.733.5918  
 Fax: 210.308.5924 • sales@handdryer.com • www.handdryer.com