

CODE NUMBERS

3346091 (CP), 3346140 (PVDBN), 3346155 (PVDGR), 3346146 (PVDPB), 3346143 (PVDSF)

DESCRIPTION

Sloan® Deck-Mounted, Automatic, Battery-Powered Foam Soap Dispenser.

DETAILS

- Five Finishes Available: Polished Chrome (CP), Brushed Nickel (PVDBN), Graphite (PVDGR), Polished Brass (PVDPB), & Brushed Stainless (PVDSF)
- Power Type: Battery
- Height: 4" (102mm)
- Width: 2" (51mm)
- Depth: 5-3/16" (132mm)
- Sensor Type: Infrared (IR)



FEATURES

Sensor Activated, Electronic, Die Cast Body, Hand Washing Foam Soap Dispenser with the following features:

- Modular one-piece construction easily attaches to deck surface
- All electronics in spout are sealed
- Designed for drip free foam dispensing operation
- Motor Assembly suspended under counter connected to soap dispenser spout
- Motor Assembly rotates 360 degrees for easy installation
- Battery life of 45,000 activations
- 1,500 dispenses per foam soap bottle
- Ships with 2 bottles of non-scented, non-colored foam soap (1500ml per bottle)
- Additional foam soap can be purchased through Sloan (ESD-321) or GOJO distribution (8565-02-N6300GN)
- Ships with battery pack (4 "D" Alkaline batteries included)
- Sensor range - nominal 5"
- GFI outlet suggested per code
- 120V/15 Amp
- Optional AC adaptor can be purchased separately (part number 0346090)
- Select the ESD-601 to combine ESD-600 soap dispenser, 2 bottles of soap and the EBF-615-4 faucet

SOAP REFILLS

- ESD-321 (1500mL)

VIDEOS

- ▶ PVD Special Finishes

COMPLIANCES & CERTIFICATIONS



(ADA Compliant, WELL Building Standard)

RECOMMENDED SPECIFICATION

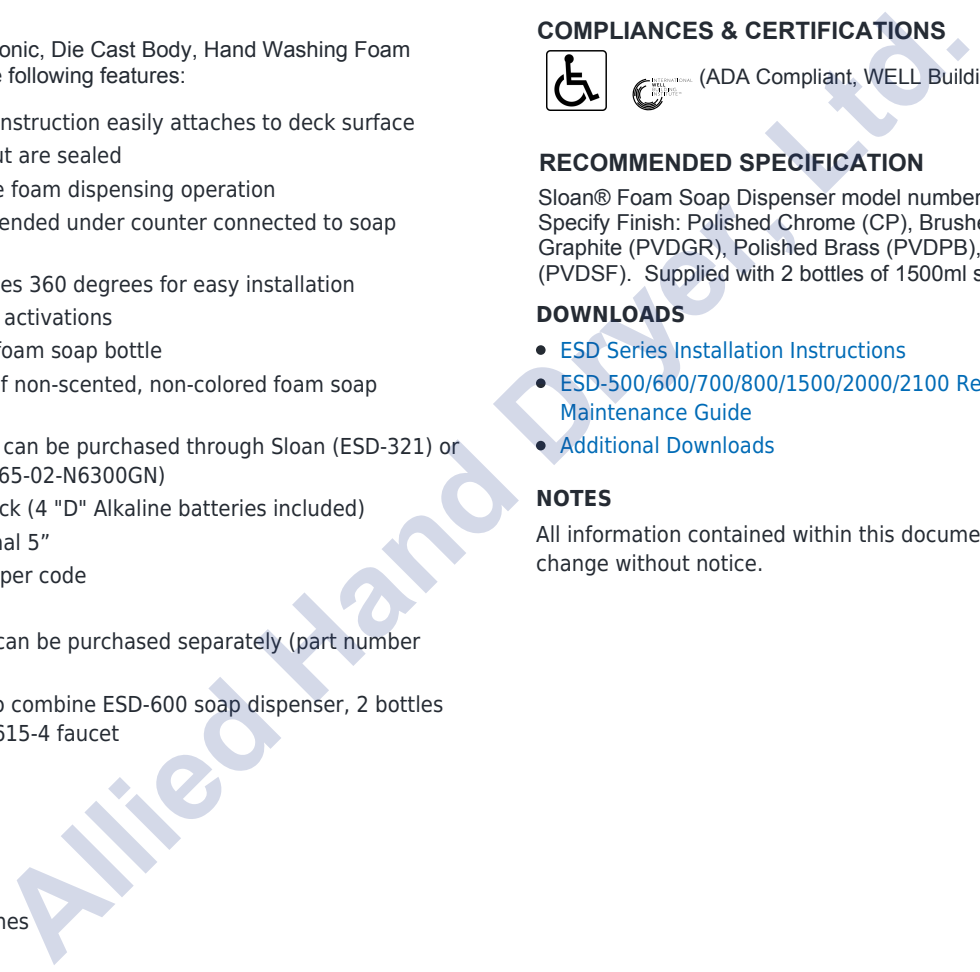
Sloan® Foam Soap Dispenser model number ESD-500. Specify Finish: Polished Chrome (CP), Brushed Nickel (PVDBN), Graphite (PVDGR), Polished Brass (PVDPB), & Brushed Stainless (PVDSF). Supplied with 2 bottles of 1500ml soap.

DOWNLOADS

- [ESD Series Installation Instructions](#)
- [ESD-500/600/700/800/1500/2000/2100 Repair and Maintenance Guide](#)
- [Additional Downloads](#)

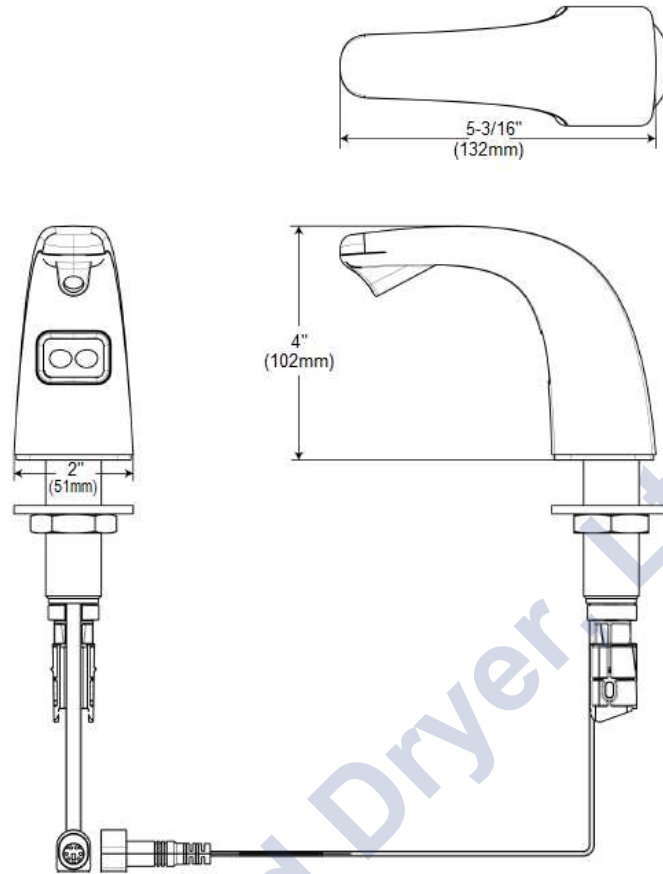
NOTES

All information contained within this document subject to change without notice.



Allied Hand Dryer, Ltd.
706 W Summit Ave, San Antonio, TX 78212
 Phone: 800.535.4393 / 210.733.5918
 Fax: 210.308.5924 • sales@handdryer.com • www.handdryer.com

ROUGH-IN



MATCHING FAUCETS

NAME	DESCRIPTION
ETF-610	Optima [®] Hardwired-Powered Deck-Mounted Low Body Faucet
EBF-615	Optima [®] Battery-Powered Deck-Mounted Low Body Faucet
EBF-625	Optima [®] Battery-Powered Deck-Mounted Low Body BAA Compliant Faucet

Allied Hand Dryer, Ltd.
706 W Summit Ave, San Antonio, TX 78212
 Phone: 800.535.4393 / 210.733.5918
 Fax: 210.308.5924 • sales@handdryer.com • www.handdryer.com