

**KT009CS****General Description**

- Kit for recessing the machflow® (M03) series hand dryer (**hand dryer not included**).
- The recess kit for the machflow® series hand dryer makes the machflow® compliant with the ADAAG norm (US) which limits to 4" the horizontal projection of devices installed anywhere between 27" and 80" above the floor within main traffic corridor of a public restroom. By recessing the hand dryer, it can be said of the hand dryer that it is "specific for the disabled".
- Built for maximum durability and to be virtually vandal-proof.
- Seamlessly integrates into the aesthetics of any washroom environment.

**Components & Materials**

- **KT009CS:**stainless steel AISI 304 kit for recessed machflow® hand dryer (hand dryer not included), satin finish. Made of two main parts: cabinet and frame.
- **CABINET:** the cabinet consists of two welded pieces. The dryer mounting areas are fabricated of 18GA 18-8 type ASAI 304 stainless steel and include four (4) M5 bolts welded to and projecting from the base plate for attaching the machflow® hand dryer.
- **FRAME:** made from 22GA 18-8 type AISI 304 stainless steel with four (4) screw holes of Ø 1/4" (6.5 mm) for mounting on the wall.
- Nuts and bolts for attaching the hand dryer to the kit are included: four (4) nuts DIN 934 M5, four (4) washers DIN 9021 M5, and four (4) rubber silent blocks 8 x 18 mm.

NOTE 1: Machflow hand dryer not included.

NOTE 2: The screws and wall plugs for the mounting of the cabinet to the wall are not included. The use of stainless steel screws is recommended.

**Technical Specifications**

Cabinet dimensions - 23 3/8" H x 14 3/4" W x 3" D	Rough Wall Opening - 21 5/8" H x 13" W x 3 3/8" D
---------------------------------------------------	---------------------------------------------------

Outer projection from the wall - 3 55/64"	Wall accommodation - 3 3/8" depth
-------------------------------------------	-----------------------------------

**Operation**

No specific instructions for its use required.

Please mark the selected item



code

**KT009CS**

material

stainless steel

finish

satin

## Installation

Verify all rough-in dimensions prior to installation and proceed to install according to the dimensions recommended in the figures.

## Guide specification

Kit for recessed machflow® hand dryer (**hand dryer not included**) consisted in two main parts: a cabinet and a frame. Cabinet should be made in two welded parts. The dryer mounting areas are fabricated of 18GA 18-8 type AISI304 stainless steel, it includes 4 M5 bolts welded on top of the base plate for fitting of the machflow® hand dryer. The frame is made in 22GA 18-8 type AISI304 stainless steel with 4 screw holes of  $\varnothing 1/4"$  (6,5mm) for mounting on the wall. Nuts and bolts for the fitting of the hand dryer to the kit included: 4 nuts DIN 934 M5, 4 washers DIN 9021 M5 and 4 rubber silent blocks 8 x 18mm.

Kit for recessing the machflow® hand dryer should be model KT009CS, frame in stainless steel AISI 304, satin finish, manufactured by Saniflow Corp., 3325 NW 70th Avenue, Miami, FL 3312, USA.

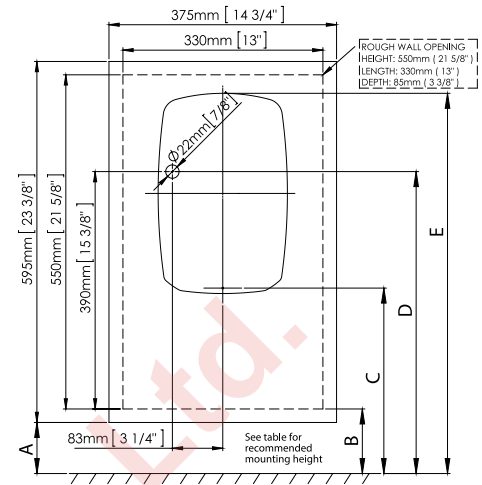
## Overall dimensions:

### KT009CS:

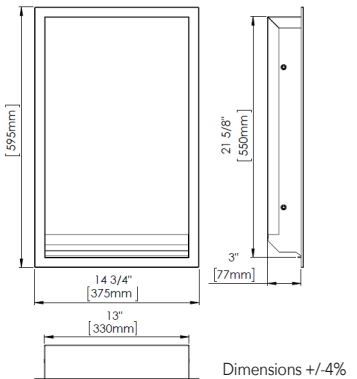
23 3/8" H x 14 3/4" W x 3" D.

Weight: 6.6 lbs (3 Kg) without Machflow hand dryer

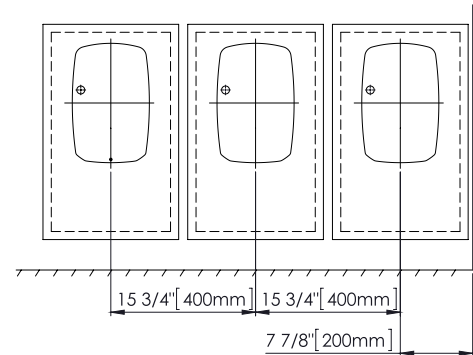
## MOUNTING



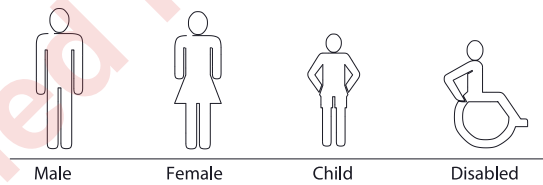
## KT009CS



## Serial mounting



Recommended heights from floor



	Male	Female	Child	Disabled
A To metal frame	38 7/8" (99cm)	36 7/8" (94cm)	29" (74cm)	31" (79cm)
B To wall opening	39 3/4" (101cm)	37 3/4" (96cm)	29 7/8" (76cm)	31 7/8" (81cm)
C To sensor top	47 5/8" (121cm)	45 5/8" (116cm)	37 3/4" (96cm)	39 3/4" (101cm)
D To electrical entry point	55 1/8" (140cm)	53 1/8" (135cm)	45 1/4" (115cm)	47 1/4" (120cm)
E To top of machine	60 1/4" (153cm)	58 1/4" (148cm)	50 3/8" (128cm)	52 3/8" (133cm)

Job:

Architect / Engineer:

City / State / Country:

Model number:

Contractor:

Date:

Variations:

Customer / Wholesaler:

Quantity:

Saniflow Corp reserves the right to make changes and/or modifications to the products and their specifications without warning or notice.

Allied Hand Dryer, Ltd.  
706 W Summit Ave  
San Antonio, TX 78212

800.535.4393  
210.733.5918  
210.308.5924 Fax

www.handdryer.com  
sales@handdryer.com