

**M88APLUS-UL**

**General Description**

- Junior Plus® sensor operated hand dryer with ABS cover white finish.
- Suitable solution for those looking for an automatic hand dryer with an optimum performance at a very competitive price.
- Compact appliance and highest durability in its class
- Equipped with an induction motor, which do not require any maintenance and they are manufactured using the highest quality materials.
- Electronic infrared detection sensor for hand distance detection, which is adjustable.
- Ideal to be installed in washrooms with a medium/low traffic of people like for example, restaurants, theatres, offices, etc.

**Components & Materials**

- **M88APLUS-UL:** white ABS UL 94-V0 thermoplastic one-piece cover, 1/8" (3 mm) thick.
- **COVER:** made in ABS UL 94-V0 thermoplastic, fixed to the base by means of 4 lock screws and lock with special Saniflow® wrench.
- **BASE PLATE:** fire resistant plastic ABS UL 94-V0 with 4 Ø 1/4" (6 mm) holes for wall mounting. .
- **FAN SCROLL:** made in plastic ABS UL 94-V0.
- **MOTOR:** induction motor, 2,800 rpm, maintenance-free and high durability, incorporates a safety thermostat.
- **FAN WHEEL:** fire resistant PP V0 single inlet fan wheel.
- **HEATING ELEMENT:** waved wire NiCr heating element on a mica frame that incorporates a thermal cut-off.
- **ELECTRONIC SENSOR:** Two distances (2"-8") IR electronic detection sensor
- **AIR OUTLET:** Zamak air outlet grill.

**Technical Specifications**

Voltage - 110-120V	Total power - 1,680 W
Frequency - 60 Hz	Motor Power - 140 W
Electrical Isolation - Class I	Heating element power: 1,500 W
Dimensions - 10"Wx12"Hx5 7/8"D	Consumption - 13.6 A
	Cover thickness - 1/8" (3 mm)
Weight - 6.6 Lbs	r.p.m. - 2,800
Effective airflow - 127 CFM	Air temperature - 135 °F ( 57°C)
Air velocity - 31 mph (2,734 LFM)	Drying time - 38 sec.
Protection rating - IP21	Sound pressure <sup>(3)</sup> - 57 dBA

**Operation**

Place the hands under the air outlet. The dryer will start automatically, and go on with no interruption as long as the hands are kept in the detection range of the sensor. The appliance will stop 2 seconds after the hands are removed from the airflow.

**Installation**

Verify all rough-in dimensions prior to installation. Hand dryers require a dedicated circuit and must be properly grounded. A GFCI (Ground fault circuit interrupter) is recommended. One side of dryer should be mounted to a stud.

**Certificates & Qualifications**

Unit shall be UL and CSA approved, according to UL 499 and CSA C22.2 standards.



Please mark the selected item



code  
**M88APLUS-UL**  
 material  
 ABS  
 finish  
 white

Saniflow Corp reserves the right to make changes and/or modifications to the products and their specifications without warning or notice.

## N° dryers to be fitted

- In toilet areas with a normal frequency of use and only one wash-basin: 1 dryer.
- In toilet areas with a normal frequency of use and more than one wash-basin: 1 dryer for each 2-3 wash-basins.
- 1 row of 4 wash basins: 2 dryers; 1 row of 6 wash basins: 3 dryers; 1 row of 8 wash basins: 4 dryers.
- In toilet areas with high traffic and more than one wash-basin: 2 dryers for each 3 wash-basins.
- 1 row of 4 wash basins: 3 dryers; 1 row of 6 wash basins: 4 dryers; 1 row of 8 wash basins: 5 dryers.

## Ideal location

Between the wash-basin and exit. It is not recommended to install dryer between wash-basins, next to urinals, lavatories and showers. If installing automatic dryers over marble surface or ledge, the minimum distance from the dryer to the ledge must be 15-3/4". It is recommended that hand dryers be distributed throughout the washroom area to avoid overcrowding.

## Guide Specification

Surface mounted hand dryer shall be fabricated with one-piece 1/8" thick ABS UL 94-V0 thermoplastic. The back base shall be fire resistant plastic ABS V0 and with 4 holes for wall mounting. The dryer shall be activated through an infrared electronic sensor and shall automatically turn off when hands are removed. The induction motor shall be 1/5 hp, 2,800 r.p.m. and incorporate a temperature limiter which switch off at 248 °F (120°C). The waved wire NiCr heating element should incorporate a thermal limiter, which will switch off by a temperature of 176 °F (80°C.). The PP UL94-V0 fan wheel should have a single inlet and the fan scroll shall be made of a fire resistant plastic PP V0. Dryer shall deliver 127 CFM of air at 135 °F (57 °C) and 2,734 LFM velocity during user controlled drying cycle. The dryer shall have a total power of 1,680 Watts with a consumption of 13.6A. Noise level should be 57 dB. Overall dimensions shall be 10"Wx12"Hx5 7/8"D. Unit shall be UL and CSA certified.

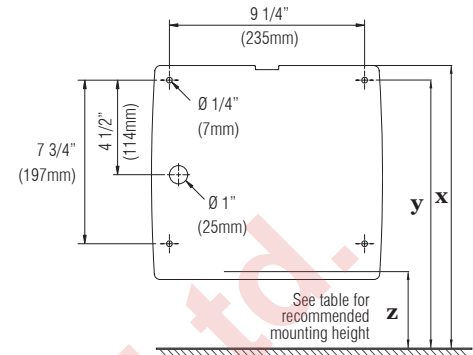
Surface-Mounted Hand Dryer shall be model M88APLUS-UL of Saniflow Corporation, 3325 NW 70th Avenue, Miami, FL 3312, USA.

## Overall dimensions:

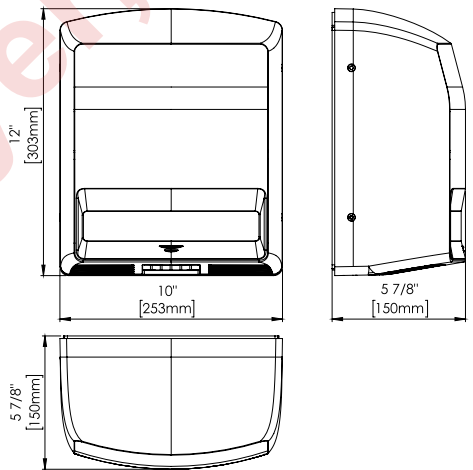
**M99A-UL / M99A C-UL / M99A CS-UL:** 10"Wx12"Hx5 7/8"D (253 x 303 x 150 mm)

Weight: 9.8 Lbs

## MOUNTING



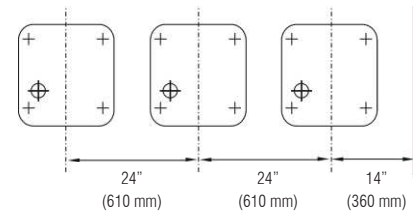
## M88APLUS-UL



## Recommended heights from floor

	Male	Female	Child	Disabled
<b>x</b> To top of machine	56" / 142 cm	54" / 137 cm	46" / 117 cm	48" / 122 cm
<b>y</b> To mounting bracket screw	55" / 140 cm	53" / 135 cm	45" / 115 cm	47" / 120 cm
<b>z</b> To sensor top	46" / 117 cm	44" / 112 cm	36" / 92 cm	38" / 97 cm

## Serial mounting



Job:

Architect / Engineer:

City / State / Country:

Model number:

Contractor:

Date:

Variations:

Customer / Wholesaler:

Quantity:

Saniflow Corp reserves the right to make changes and/or modifications to the products and their specifications without warning or notice.

Allied Hand Dryer, Ltd.  
706 W Summit Ave  
San Antonio, TX 78212

800.535.4393  
210.733.5918  
210.308.5924 Fax

www.handdryer.com  
sales@handdryer.com