

Model XA Hand Dryer

Most Durable Standard Automatic Hand Dryer



WORLD DRYER

World Model XA hand dryer is an automatic hand dryer with longest motor life and the best washroom solution for all high traffic applications.

Product Benefits

- Automatic operation
- Longest life of all dryers
- Lowest sound level
- Durable and vandal resistant
- Classic style design

Design Features

Dryer

- Activated by infrared sensor
- Automatic drying cycle
- Incorporates a 2100 (optional 1500) watt Nichrome wire heating element
Protected by an automatic-resetting, thermal cutoff
- Provides a 70°F temperature rise
- IPX1 ingress protection

Motor

- Thermally-protected, universal brush-type motor operating at 7,500 RPM
- Delivering 200 CFM air flow at a velocity of 7,300 LFM

Materials

- Cover material: Cast Iron with porcelain enamel finish. Optional 14GA polished or brushed finish #304S.S. or epoxy enamel finish C.R. Steel.
- The wall-mounted base is constructed of die-cast aluminum
- The nozzle is constructed of die-cast zinc alloy finished in bright chrome



Architecture & Engineering Specifications

World Dryer Model XA hand dryers shall include a cover made of 1/4" thick cast iron with porcelain enamel finish. Optional 14GA polished or brushed finish #304S.S. or epoxy enamel finish C.R. Steel. Motor shall be universal type, 1/10 HP at 7500 RPM. Dryers shall deliver 200 cubic feet per minute of air volume (7300 LFM). Infrared sensor detect hands, initiates and terminates drying cycle. High-tech sensor control to provide 1,000,000 dry cycles. Hand dryers shall be listed under reexamination service of Underwriters Laboratories, Inc.

Model XA Product Specifications

Electrical

	115 V	115 V	208 - 230 V	220 - 240 V	277 V
Amps	20	15	10	10	8.5
Watts	2300	1725	2300	2300	2300
Hz	60	60	60	50	60

Unit Size (HxWxD) inch/mm -

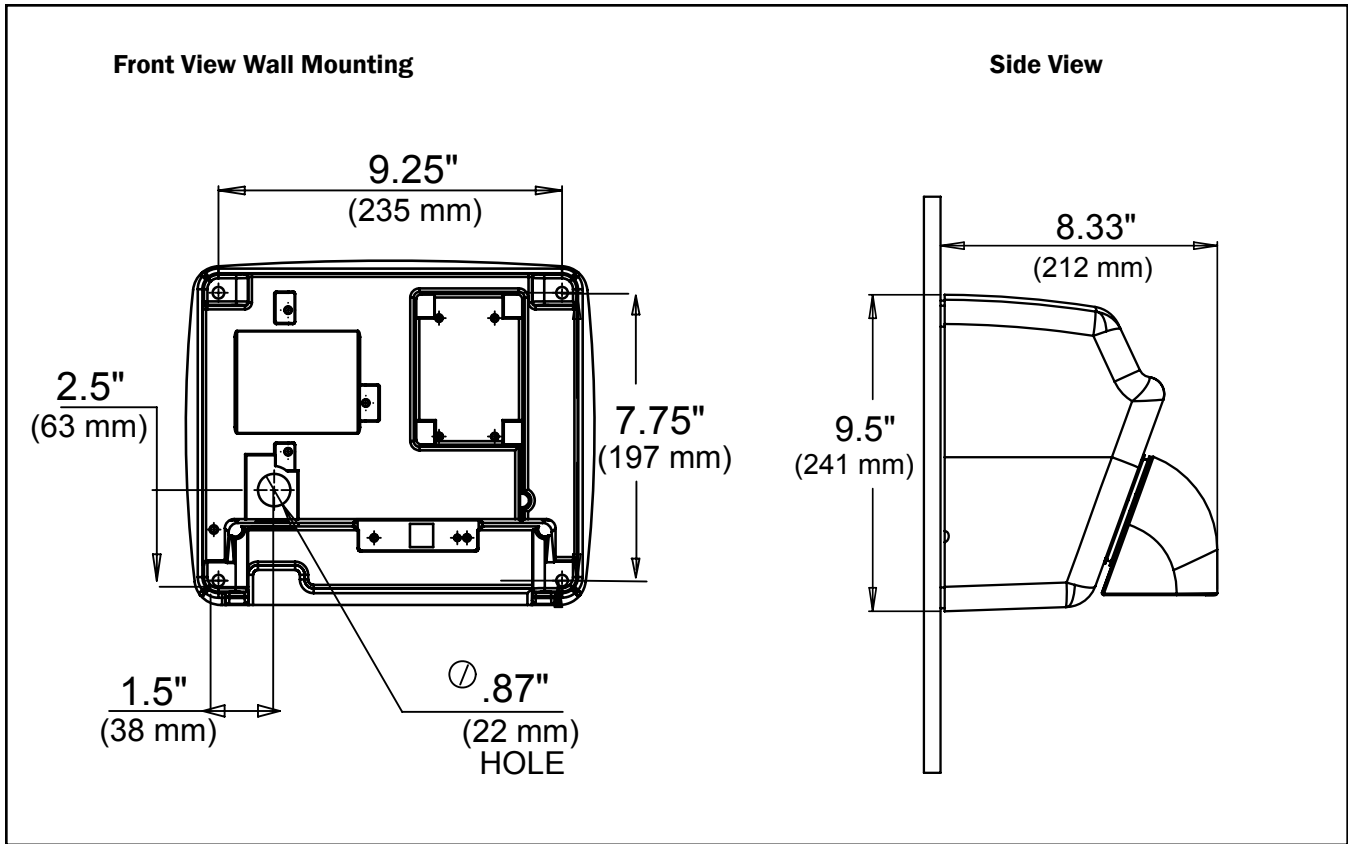
9.5" x 11.3" x 8.3" 241 mm x 287 mm x 211 mm

Shipping Size (HxWxD) inch/mm

12.5" x 14.4" x 10.1" 317 mm x 366 mm x 256 mm

Stock #	Cover Finish	Cover Material	Electrical	Unit Weight
XA5-974	White	Cast Iron	115 V (20 Amp)	29 lbs/13.15 kgs
XA52-974	White	Cast Iron	115 V (15 Amp)	29 lbs/13.15 kgs
XA54-974	White	Cast Iron	208 - 230V	29 lbs/13.15 kgs
XA548-974	White	Cast Iron	220 - 240 V	29 lbs/13.15 kgs
XA57-974	White	Cast Iron	277 V	29 lbs/13.15 kgs
DXA5-974	White	Stamped Steel	115 V (20 Amp)	18 lbs/8.16 kgs
DXA52-974	White	Stamped Steel	115 V (15 Amp)	18 lbs/8.16 kgs
DXA54-974	White	Stamped Steel	208 - 230V	18 lbs/8.16 kgs
DXA548-974	White	Stamped Steel	220 - 240 V	18 lbs/8.16 kgs
DXA57-974	White	Stamped Steel	277 V	18 lbs/8.16 kgs

Stock #	Cover Finish	Cover Material	Electrical	Unit Weight
DXA5-972	Polished	Stainless Steel	115 V (20 Amp)	18 lbs/8.16 kgs
DXA52-972	Polished	Stainless Steel	115 V (15 Amp)	18 lbs/8.16 kgs
DXA54-972	Polished	Stainless Steel	208 - 230V	18 lbs/8.16 kgs
DXA548-972	Polished	Stainless Steel	220 - 240 V	18 lbs/8.16 kgs
DXA57-972	Polished	Stainless Steel	277 V	18 lbs/8.16 kgs
DXA5-973	Brushed	Stainless Steel	115 V (20 Amp)	18 lbs/8.16 kgs
DXA52-973	Brushed	Stainless Steel	115 V (15 Amp)	18 lbs/8.16 kgs
DXA54-973	Brushed	Stainless Steel	208 - 230V	18 lbs/8.16 kgs
DXA548-973	Brushed	Stainless Steel	220 - 240 V	18 lbs/8.16 kgs
DXA57-973	Brushed	Stainless Steel	277 V	18 lbs/8.16 kgs



Placement Instruction

- Hand dryers should be spaced at least 2' apart, near but not over the wash basin
- Automatic dryers should be located more than 18" above or away from any reflective surface that may interfere with the sensor operation.
- In congested areas, dryers should be located to create a flow from wash basin to dryer to exit
- Dryer Quantity Recommendation:
 Average Traffic: 1 dryer per 2 wash basins
 Heavy Traffic: 1 dryer per wash basin
 Industrial 54" Circular wash fountains: 4 dryers per sink
- Recommended mounting heights from floor to dryer bottom edge

Men's washrooms	46" (117 cm)
Women's washrooms	44" (112 cm)
Children's washrooms, ages 4-7	32" (81 cm)
Children's washrooms, ages 7-10	36" (91 cm)
Children's washrooms, ages 10-13	40" (102 cm)
Children's washrooms, ages 13-17	44" (112 cm)
Handicap Mounting Height	37" (94 cm)

Measured from floor to the bottom of the unit.

Installation Guide

- Model XA hand dryers require a dedicated 20 AMP circuit and must be properly grounded
- GFI circuit protection is recommended.
- One side of dryer should be mounted to a stud

Certification Approved



IPX1



Warranty



10 year limited warranty
5 year on sensor