

The Global GX series provides a quiet, compact, and long-lasting hand drying solution. Its durable vandal-resistant construction and long service brushless motor ensure continuous performance. Install the Global GX to meet your budget and prerequisites.

**Product Benefits**

- Brushless motor for long trouble-free service life
- Accepts 120 V input
- 40 second dry time
- Quiet operation
- Automatic touch-free activation
- Durable and vandal resistant



White ABS



Steel Black Graphite



PERFORMANCE	
Dry Time:	40 seconds
Air Velocity:	45 mph (4,000 LFM)
Air Flow:	120 CFM
Air Temperature: (at 72°F room temperature)	120°F

ELECTRICAL	
Voltage:	120 VAC
Power:	1320 watts
Frequency:	60 Hz
Recommended Circuit:	Dedicated 15 or 20 Amp



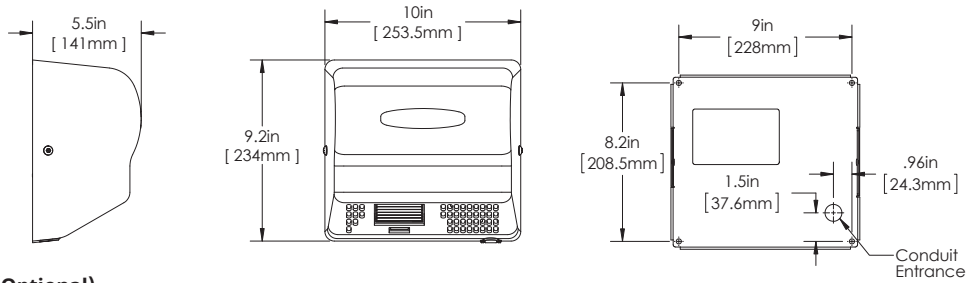
Stainless Steel



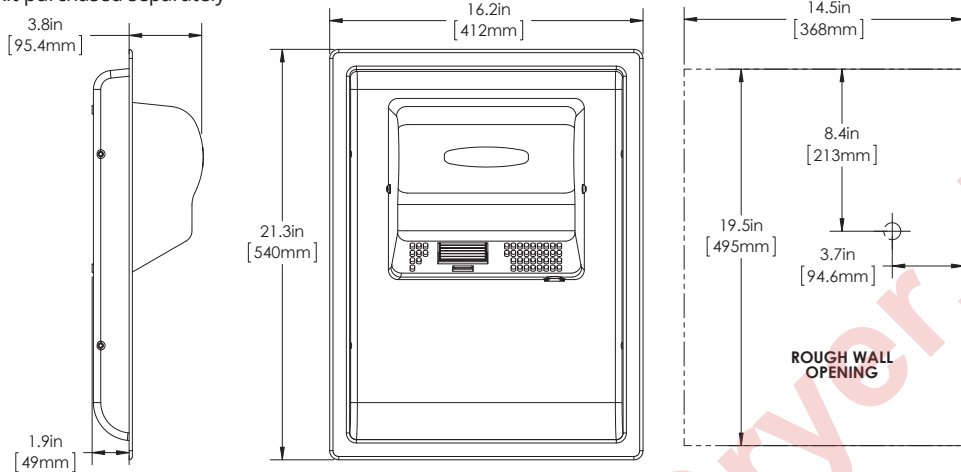
Steel White Epoxy

CONSTRUCTION	
Cover Options (Material/Finish)	High impact ABS (white) - GX1 Epoxy painted steel (black) - GX1-BG Stainless steel (brushed finish) - GX1-SS Epoxy painted steel (white) - GX1-M
Motor	Thermally-protected universal type, 1/12 HP, 3,100 RPM
Heating Element	Nichrome wire construction, 1200 watts, and auto-reset thermal-protector so power is disconnected if air is not flowing
Electronic Controls	110V/120V
Activation	Automatic touch-free infrared activation with 60 second vandal-resistant lock-out feature
Enclosure Security	Cover attached with tamper-resistant screws and security wrench included
Electrical Connection Access	Access for wall-mounted junction box and for bottom-entry surface mounted conduit
2-Year Limited Warranty	Warranted by the manufacturer to be free from defects in material workmanship for a period of two (2) years from the date of purchase. Warranty service include labor performed at factory as well as the repair or exchange of defective parts, at manufacturer's option.

**SURFACE MOUNTED**



**RECESS MOUNTED (Optional)**  
 ADA-RK Recess Kit purchased separately



**Recommended Mounting Heights**  
 (from bottom edge of dryer to finished floor)

Men's washrooms	46" (117 cm)
Women's washrooms	44" (112 cm)
Children's washrooms, ages 4-7	32" (81 cm)
Children's washrooms, ages 7-10	36" (91 cm)
Children's washrooms, ages 10-13	40" (102 cm)
Children's washrooms, ages 13-17	44" (112 cm)
Handicap Mounting Height	37" (94 cm)

**Placement Instructions**

- Hand dryers should be spaced at least 2 feet apart, near but not over the washbasin
- In congested areas, it's recommended that dryers be located to create a flow from wash basin to dryer to exit
- Each Global GX should be mounted at least 18" above or away from reflective surfaces which may interfere with the automatic sensor operation
- **Dryer Quantity Recommendation:**
  - Average Traffic: 1 dryer per 2 wash basins
  - Heavy Traffic: 1 dryer per wash basin
  - Industrial 54" Circular Wash Fountains: 4 dryers per sink
- GFI circuit protection is recommended in wet or damp locations
- One side of dryer should be mounted to a wall stud

COVER MATERIAL/FINISH	ACTIVATION	MOUNTING	110-120 V US/CAN	UNIT SIZE (HXWXD) INCH [MM]	SHIPPING SIZE (HXWXD) INCH [MM]	SHIPPING WEIGHT
High-Impact White ABS	Automatic	Surface	GX1	10.1" x 9.4" x 5.6" [257 x 239 x 142]	6.75" x 11.5" x 10.25" [171 x 292 x 260]	8 lb / 3.6 kg
Steel with Black Epoxy	Automatic	Surface	GX1-BG	10.1" x 9.4" x 5.6" [257 x 239 x 142]	6.75" x 11.5" x 10.25" [171 x 292 x 260]	9.4 lb / 4.2 kg
Brushed Stainless Steel	Automatic	Surface	GX1-SS	10.1" x 9.4" x 5.6" [257 x 239 x 142]	6.75" x 11.5" x 10.25" [171 x 292 x 260]	9.4 lb / 4.2 kg
Steel with White Epoxy	Automatic	Surface	GX1-M	10.1" x 9.4" x 5.6" [257 x 239 x 142]	6.75" x 11.5" x 10.25" [171 x 292 x 260]	9.4 lb / 4.2 kg