

The EXT eXtremeAir® series consists of compact, high-speed, hand dryers. Their high energy-efficiency, durable construction and universal voltage features accommodate any commercial washroom environment.

Product Benefits:

EXT Models

- 12 second dry time
- Adjusts sound and speed with easy dial adjustment
- Reduces power consumption with no-heat technology
- Lower amperage allows for multiple dryers on one circuit
- Accepts 110–240 V input
- Optimizes space with compact design
- Durable and vandal resistant



White ABS



Stainless Steel



Steel Black Epoxy



Steel White Epoxy



RoHS

PERFORMANCE

	EXT Models
Dry Time:	12 seconds (adjustable)
Air Velocity:	114 – 216 mph (10,000 – 19,000 LFM)
Air Flow:	36 – 68 CFM
Air Temperature: (at 72°F room temperature):	85°F

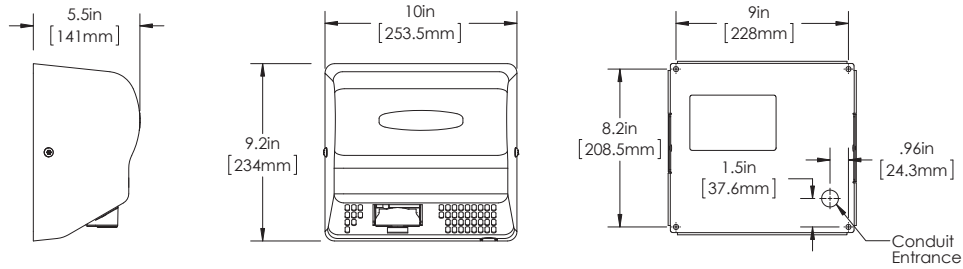
ELECTRICAL

	EXT Models
Voltage:	120 – 240 VAC
Power:	300 – 500 watts (adjustable)
Frequency:	60 Hz
Recommended Circuit:	15 or 20 Amp (multiple dryers can be installed on a single circuit)

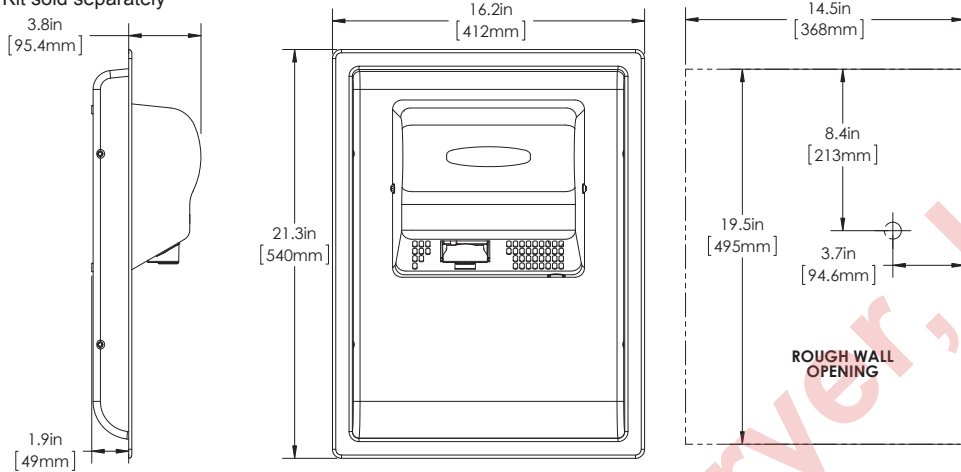
CONSTRUCTION

Cover Options (Material/Finish)	High impact ABS (white) Stainless steel (brushed finish) Epoxy painted steel (black) Epoxy painted steel (white)
Motor	Thermally-protected universal type, through-flow discharge vacuum type, 5/8 HP, 24,000 RPM (adjustable)
Electronic Controls	Universal voltage (120 – 240 V)
Speed Control	Infinite setting dial adjustment
Activation	Automatic touch-free infrared activation with 35 second vandal-resistant lock-out feature
Enclosure Security	Cover attached with tamper-resistant screws and security wrench included
Electrical Connection Access	Access for wall-mounted junction box and for bottom-entry surface mounted conduit
5-Year Limited Warranty	Warranted by the manufacturer to be free from defects in material workmanship for a period of five (5) years from the date of purchase. Warranty service include labor performed at factory as well as the repair or exchange of defective parts, at manufacturer's option.

SURFACE MOUNTED



RECESS MOUNTED (Optional)
 ADA-RK Recess Kit sold separately



Placement Instructions

- Hand dryers should be spaced at least 2 feet apart, near but not over the washbasin
- In congested areas, dryers should be located to create a flow from wash basin to dryer to exit
- eXtremeAir EXT dryers should be mounted at least 18" above or away from reflective surfaces which may interfere with the automatic sensor operation.
- Dryer Quantity Recommendation:
 - Average Traffic: 1 dryer per 2 wash basins
 - Heavy Traffic: 1 dryer per wash basin
 - Industrial 54" Circular wash fountains: 4 dryers per sink
- Recommended mounting heights from floor to dryer bottom edge

Men's washrooms	46" (117 cm)
Women's washrooms	44" (112 cm)
Children's washrooms, ages 4-7	32" (81 cm)
Children's washrooms, ages 7-10	36" (91 cm)
Children's washrooms, ages 10-13	40" (102 cm)
Children's washrooms, ages 13-17	44" (112 cm)
Handicap Mounting Height	37" (94 cm)

COVER MATERIAL/FINISH	EXT MODELS	VOLTAGE	UNIT SIZE (HXWXD) INCH [MM]	SHIPPING SIZE (HXWXD) INCH [MM]	SHIPPING WEIGHT
High-Impact White ABS	EXT7	100-240 V	10.1" x 9.4" x 5.6" [257 x 239 x 142]	6.75" x 11.5" x 10.25" [171 x 292 x 260]	9 lb / 4.1 kg
Brushed Stainless Steel	EXT7-SS	100-240 V	10.1" x 9.4" x 5.6" [257 x 239 x 142]	6.75" x 11.5" x 10.25" [171 x 292 x 260]	10 lb / 4.5 kg
Steel with Black Epoxy	EXT7-BG	100-240 V	10.1" x 9.4" x 5.6" [257 x 239 x 142]	6.75" x 11.5" x 10.25" [171 x 292 x 260]	10 lb / 4.5 kg
Steel with White Epoxy	EXT7-M	100-240 V	10.1" x 9.4" x 5.6" [257 x 239 x 142]	6.75" x 11.5" x 10.25" [171 x 292 x 260]	10 lb / 4.5 kg
ADA Wall Guard	ADA-WG (Optional Accessory)		18" x 9.4" x 3.5" [457 x 238 x 89]	18.2" x 10.2" x 3.9" [462 x 259 x 99]	3.5 lb / 1.6 kg
ADA Recess Kit	ADA-RK (Optional Accessory)		21.3" x 16.3" x 2.0" [541 x 159 x 51]	21.8" x 16.5" x 2.6" [554 x 419 x 66]	6.2 lb / 2.8 kg
Adaptor Plate	AP (Optional Accessory)		14" x 16" x .05" [356 x 406 x 1.3]	17.5" x 15" x 1.2" [445 x 381 x 30]	4.7 lb / 2.1 kg